

Printview: Terminal strip with operating levers and jumper slot; 4 solder pins/pole; 5-pole; pin spacing 10 mm / 0.394 in; with operating levers; with jumper slot - Item No.: 2716-155

**WAGO**® online catalog / eShop

**Terminal strip with operating levers and jumper slot; 4 solder pins/pole; 5-pole; pin spacing 10 mm / 0.394 in; with operating levers; with jumper slot**

Item No.: 2716-155



*Terminal strip with operating levers and jumper slot; 4 solder pins/pole; 5-pole; pin spacing 10 mm / 0.394 in; with operating levers; with jumper slot*

### Marking

RoHS ✓  
Compliant

### Business data

Supplier	WAGO
Item no.	2716-155
GTIN / EAN	4045454739379
Content	1
Order amount	20
Customer item number	

### Notes

*High-current terminal strips with lever-actuated CAGE CLAMP® Tool-free opening and closing – fingers open/close levers  
Several clamping units can be held open simultaneously – convenient for terminating multi-core cables  
Four solder pins per contact point for high mechanical stability  
600V UL for 12.5mm pin spacing  
Versions with commoning option for distributing potentials*

### Technical data

#### Miscellaneous

No. of poles	5
Pin Spacing	10 mm (0.394 in %)
Total number of connection points	5
Total number of potentials	5
Color	gray

<b>Technical data</b>	
<i>Ratings according to 1</i>	<i>IEC/EN 60664-1</i>
<i>Overvoltage category EN 1</i>	<i>III</i>
<i>Pollution degree (1)</i>	<i>2</i>
<i>Rated voltage EN (1) [V]</i>	<i>320 [V]</i>
<i>Rated surge voltage (1) [kV]</i>	<i>4 [kV]</i>
<i>Nominal current [A]</i>	<i>76 [A]</i>
<i>Overvoltage category EN 2</i>	<i>II</i>
<i>Degree of pollution (2)</i>	<i>2</i>
<i>Rated voltage EN (2) [V]</i>	<i>630 [V]</i>
<i>Rated surge voltage (2) [kV]</i>	<i>4 [kV]</i>
<i>Nominal current (2) [A]</i>	<i>76 [A]</i>
<i>Overvoltage category EN 3</i>	<i>III</i>
<i>Degree of pollution (3)</i>	<i>3</i>
<i>Rated voltage EN (3) [V]</i>	<i>320 [V]</i>
<i>Rated surge voltage (3) [kV]</i>	<i>4 [kV]</i>
<i>Nominal current (3) [A]</i>	<i>76 [A]</i>
<i>Number of individual connection objects at the product</i>	<i>1</i>
<i>Connection technology (1)</i>	<i>CAGE CLAMP®</i>
<i>Solid sizes 1</i>	<i>1.5 ... 16 mm<sup>2</sup> / 16 ... 6 AWG</i>
<i>Fine-stranded wires 1</i>	<i>1.5 ... 6 mm<sup>2</sup> / 16 ... 6 AWG</i>
<i>Fine-stranded wires with insulated ferrule 1</i>	<i>1.5 ... 10 mm<sup>2</sup> / ...</i>
<i>Fine-stranded wires with uninsulated ferrule 1</i>	<i>1.5 ... 10 mm<sup>2</sup> / ...</i>
<i>Strip length 1</i>	<i>12 ... 13 mm / 0.47 ... 0.51 in</i>
<i>Conductor entry angle to the PCB 1 [°]</i>	<i>30 [°]</i>
<i>Solder pin arrangement</i>	<i>in-line solder pin</i>
<i>Solder pin length [mm]</i>	<i>4.5 [mm]</i>
<i>Solder pin width A [mm]</i>	<i>0.95 [mm]</i>
<i>Solder pin width B [mm]</i>	<i>1.2 [mm]</i>
<i>Tolerance of drilled hole [mm]</i>	<i>1.6(+ 0.1) [mm]</i>
<i>Material group</i>	<i>I</i>
<i>Insulating material</i>	<i>Polyamide 66 (PA 66)</i>
<i>Flammability rating per UL 94</i>	<i>V0</i>
<i>Limit temperature range</i>	<i>-60 C ... 105 C</i>
<i>Clamping spring material</i>	<i>Chrome-nickel spring steel (CrNi)</i>

Printview: Terminal strip with operating levers and jumper slot; 4 solder pins/pole; 5-pole; pin spacing 10 mm / 0.394 in; with operating levers; with jumper slot - Item No.: 2716-155

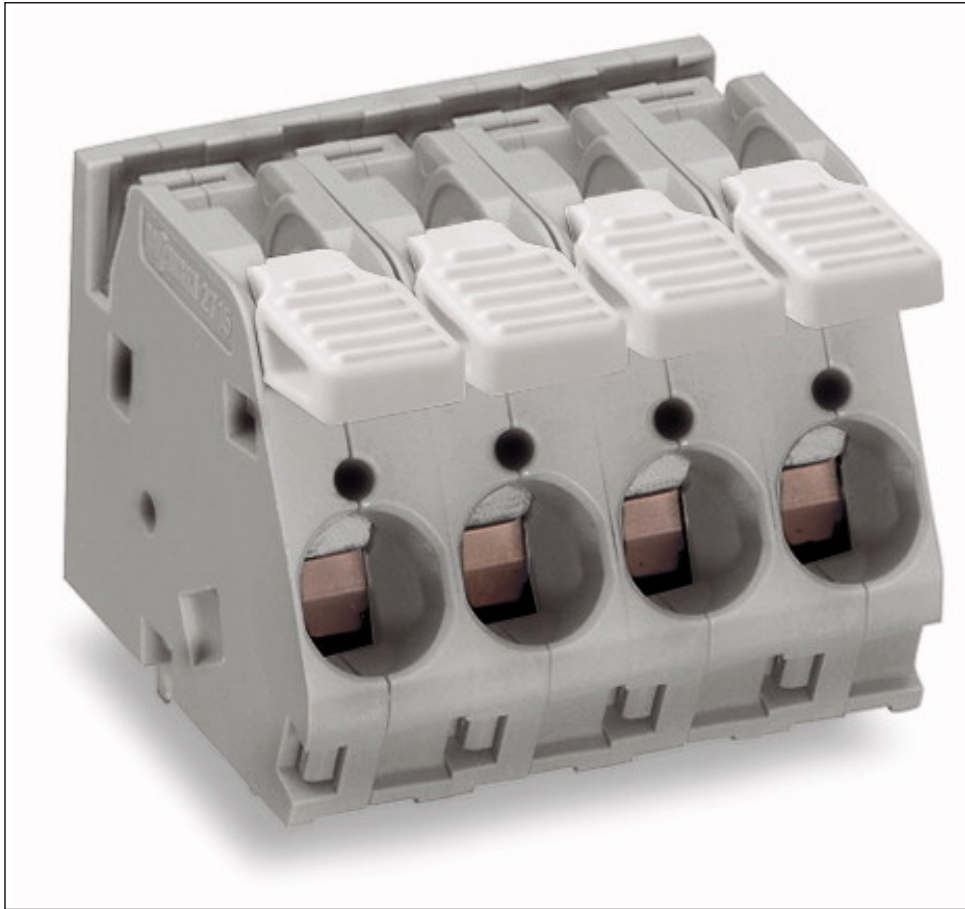
---

<b>Technical data</b>	
<i>Contact material</i>	<i>Electrolytic copper (Ecu)</i>
<i>Contact plating</i>	<i>tin-plated</i>
<i>Fire load [MJ]</i>	<i>0.888 [MJ]</i>
<i>Weight [g]</i>	<i>52.379 [g]</i>
<i>Width</i>	<i>51.5 mm / 2.028 in</i>
<i>Height</i>	<i>33.3 mm / 1.311 in</i>
<i>Height from the surface</i>	<i>28.8 mm / 1.134 in</i>
<i>Length</i>	<i>35 mm / 1.378 in</i>

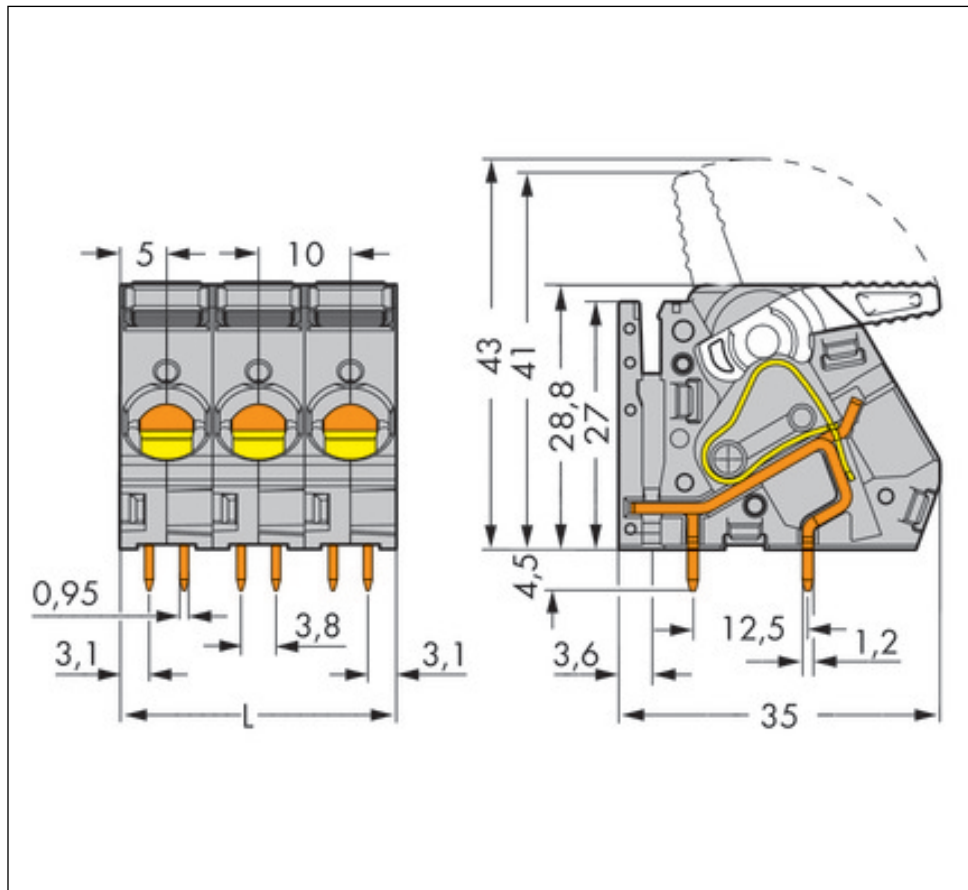
Printview: Terminal strip with operating levers and jumper slot; 4 solder pins/pole; 5-pole; pin spacing 10 mm / 0.394 in; with operating levers; with jumper slot - Item No.: 2716-155

---

Images & drawings



Printview: Terminal strip with operating levers and jumper slot; 4 solder pins/pole; 5-pole; pin spacing 10 mm / 0.394 in; with operating levers; with jumper slot - Item No.: 2716-155



#### Address

WAGO Kontakttechnik GmbH & Co. KG

Hansastr. 27

32423 Minden

Telefon: 0571/887-0

Fax: 0571/887-169

<http://www.wago.com>

© WAGO Kontakttechnik GmbH & Co. KG

Technische Änderungen und Irrtümer vorbehalten.