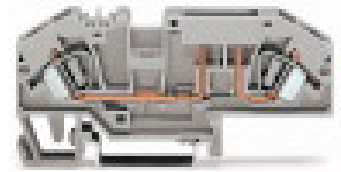


2-conductor fuse terminal block for mini-automotive blade-style fuses; with test option; without blown fuse indication

Item No.: 282-696



2-conductor fuse terminal block for mini-automotive blade-style fuses; with test option; without blown fuse indication

Marking

RoHS ✓
Compliant

Business data

Supplier	WAGO
Item no.	282-696
GTIN / EAN	4050821234517
Content	1
Order amount	25
Customer item number	

Notes

Safety information 2: Blade-style fuses, please note touchproof protection for 42V and higher.

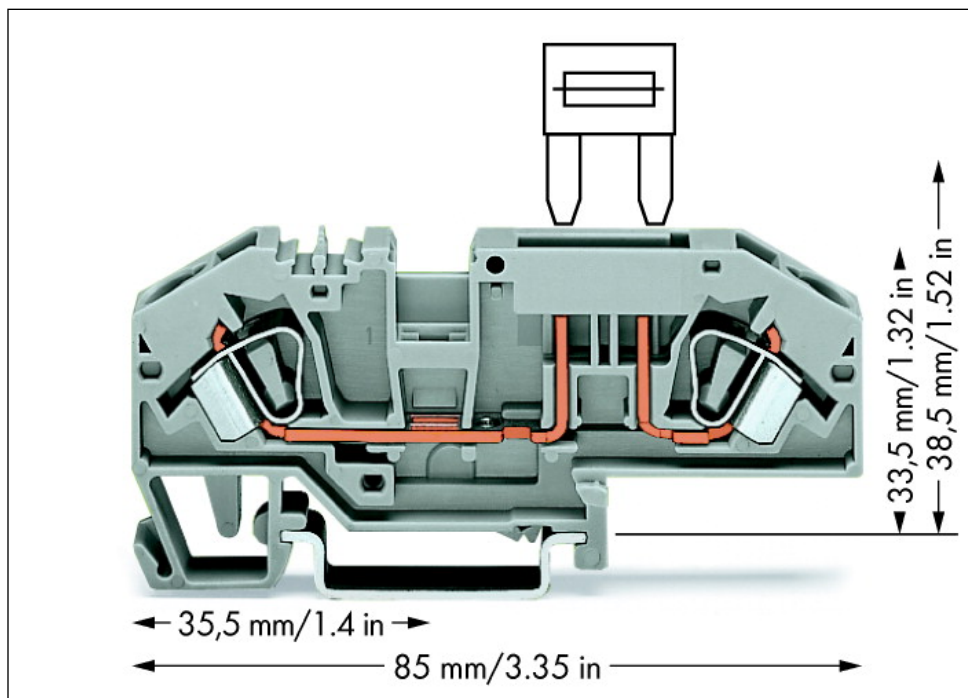
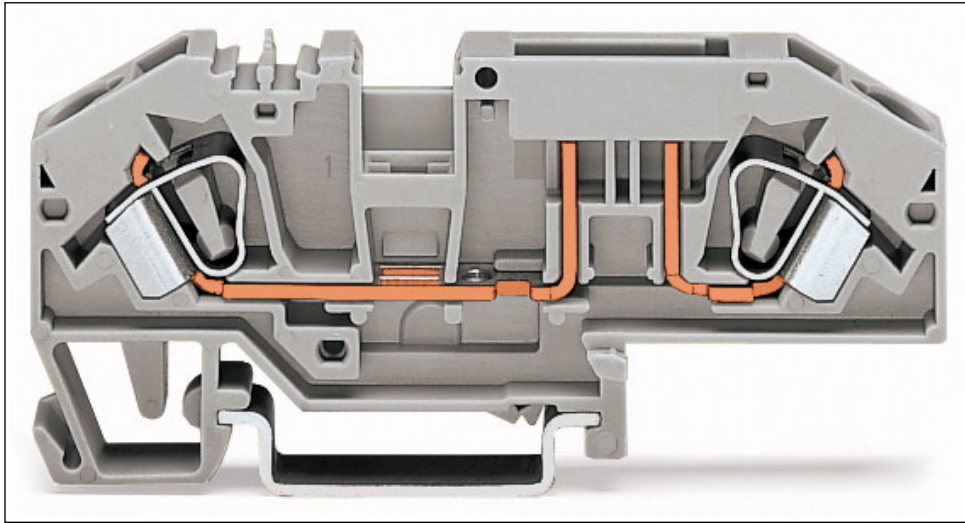
Technical data

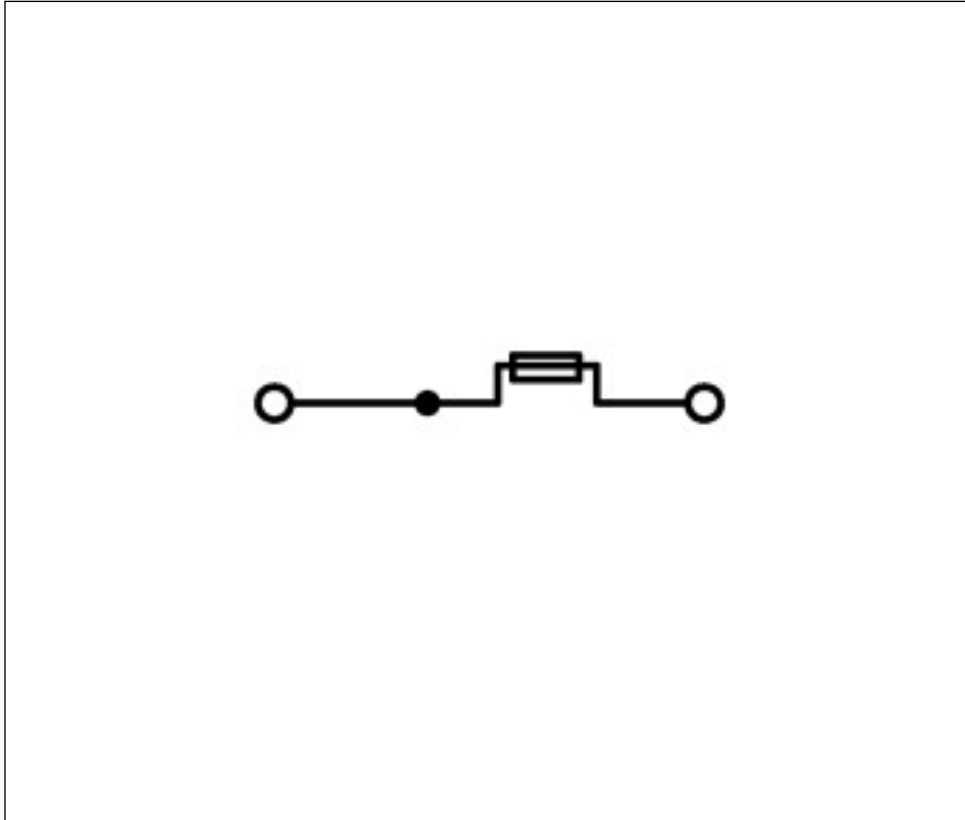
Miscellaneous

Total number of connection points	2
Total number of potentials	2
Color	gray
Pollution degree (1)	3
Rated voltage EN (1) [V]	400 [V]
Rated surge voltage (1) [kV]	6 [kV]
Nominal current [A]	25 [A]
Nominal current (2) [A]	30 [A]

Technical data	
<i>Connection technology (1)</i>	<i>CAGE CLAMP®</i>
<i>Solid sizes 1</i>	<i>0.2 ... 6 mm² / 24 ... 10 AWG</i>
<i>Fine-stranded wires 1</i>	<i>0.2 ... 6 mm² / 24 ... 10 AWG</i>
<i>Strip length 1</i>	<i>12 ... 13 mm / 0.47 ... 0.51 in</i>
<i>Type of wiring</i>	<i>Front-entry wiring</i>
<i>Design</i>	<i>angled</i>
<i>Marking level</i>	<i>Center marking</i>
<i>Insulating material</i>	<i>Polyamide 66 (PA 66)</i>
<i>Fire load [MJ]</i>	<i>0.293 [MJ]</i>
<i>Weight [g]</i>	<i>17.285 [g]</i>
<i>Width</i>	<i>8 mm / 0.315 in</i>
<i>Height from upper-edge of DIN-rail [mm]</i>	<i>33.5 [mm]</i>
<i>Height from upper-edge of DIN-rail</i>	<i>33.5 mm / 1.319 in</i>
<i>Length</i>	<i>85 mm / 3.346 in</i>
<i>Type of mounting</i>	<i>DIN 35 rail</i>
<i>Safety information 1</i>	<i>Electrical ratings are given by the fuse.</i>

Images & drawings





Address

WAGO Kontakttechnik GmbH & Co. KG

Hansastr. 27

32423 Minden

Telefon: 0571/887-0

Fax: 0571/887-169

<http://www.wago.com>

© WAGO Kontakttechnik GmbH & Co. KG

Technische Änderungen und Irrtümer vorbehalten.