

**Sensor LED terminal block; for NPN (negative) switching sensors; red LED; 24 VDC**

Item No.: 280-561/281-413



Sensor LED terminal block; for NPN (negative) switching sensors; red LED; 24 VDC

**Marking**

RoHS ✓  
Compliant

**Business data**

Supplier	WAGO
Item no.	280-561/281-413
GTIN / EAN	4045454299262
Content	1
Order amount	50
Customer item number	

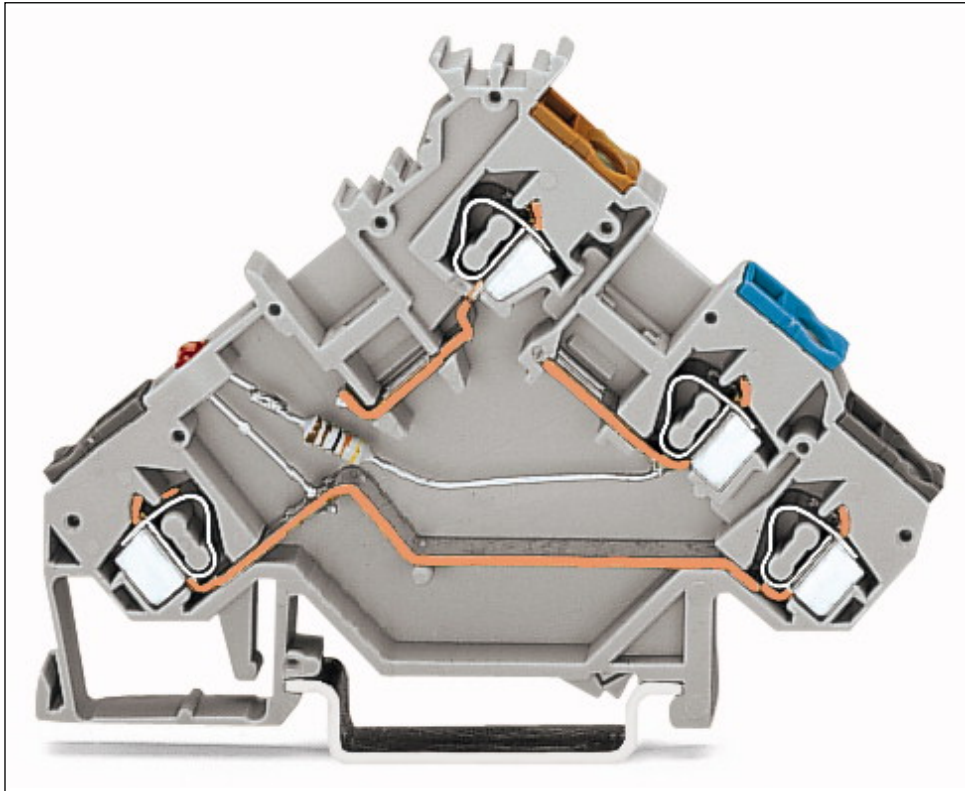
**Notes**

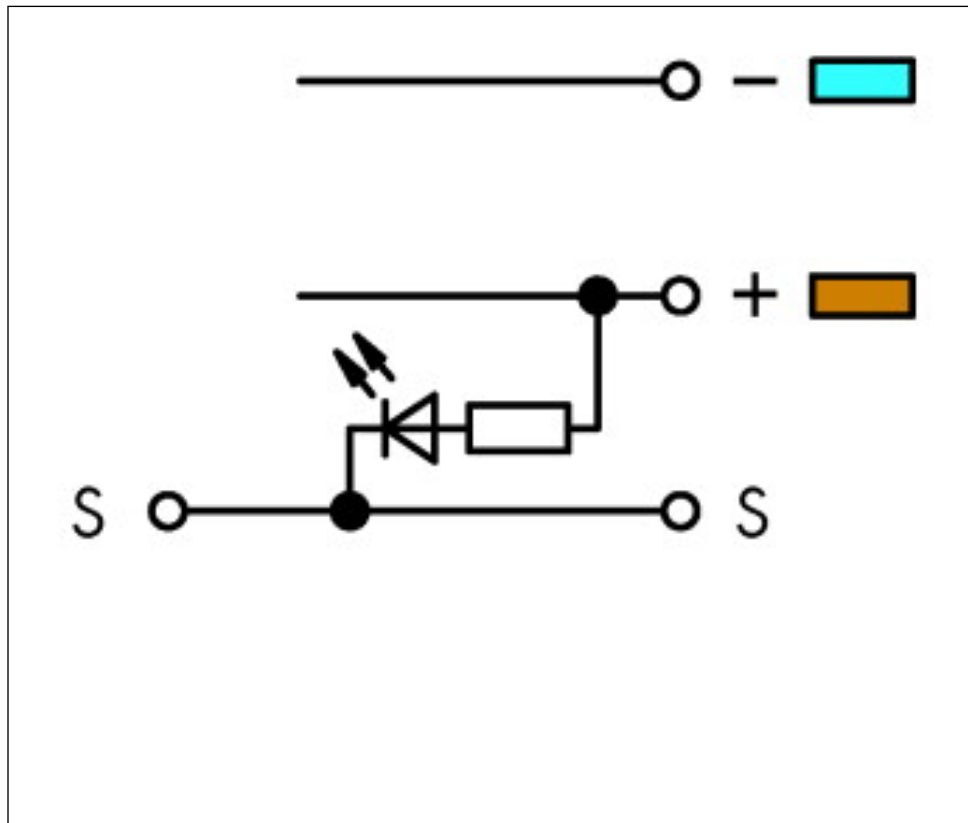
**Technical data**

<i>Miscellaneous</i>	
Total number of connection points	2
Total number of potentials	2
Color	gray
Nominal current [A]	20 [A]
Nominal voltage [V]	24 [V]
Connection technology (1)	CAGE CLAMP®
Solid sizes 1	0.08 ... 2.5 mm <sup>2</sup> / 28 ... 12 AWG
Fine-stranded wires 1	0.08 ... 2.5 mm <sup>2</sup> / 28 ... 12 AWG
Strip length 1	8 ... 9 mm / 0.31 ... 0.35 in

<b>Technical data</b>	
<i>Note (conductor cross-section)</i>	<i>12 AWG: THHN, THWN</i>
<i>Type of wiring</i>	<i>Front-entry wiring</i>
<i>Design</i>	<i>angled</i>
<i>Marking level</i>	<i>Center marking</i>
<i>Insulating material</i>	<i>Polyamide 66 (PA 66)</i>
<i>Fire load [MJ]</i>	<i>0.174 [MJ]</i>
<i>Weight [g]</i>	<i>10.522 [g]</i>
<i>Width</i>	<i>5 mm / 0.197 in</i>
<i>Height from upper-edge of DIN-rail [mm]</i>	<i>55.5 [mm]</i>
<i>Height from upper-edge of DIN-rail</i>	<i>55.5 mm / 2.185 in</i>
<i>Length</i>	<i>80 mm / 3.15 in</i>
<i>Type of mounting</i>	<i>DIN 35 rail</i>
<i>Safety information 1</i>	<i>LED power consumption: 4.8mA</i>

Images & drawings





#### Address

WAGO Kontakttechnik GmbH & Co. KG

Hansastr. 27

32423 Minden

Telefon: 0571/887-0

Fax: 0571/887-169

<http://www.wago.com>

© WAGO Kontakttechnik GmbH & Co. KG

Technische Änderungen und Irrtümer vorbehalten.