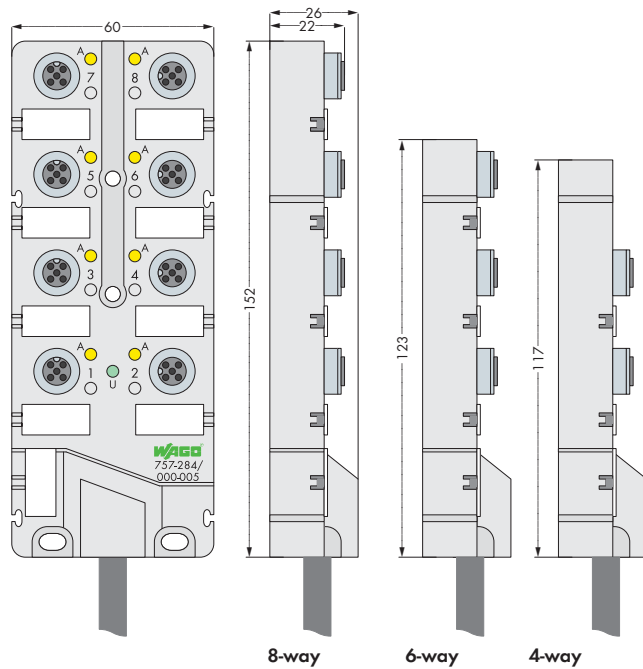


M12 Sensor/Actuator Boxes

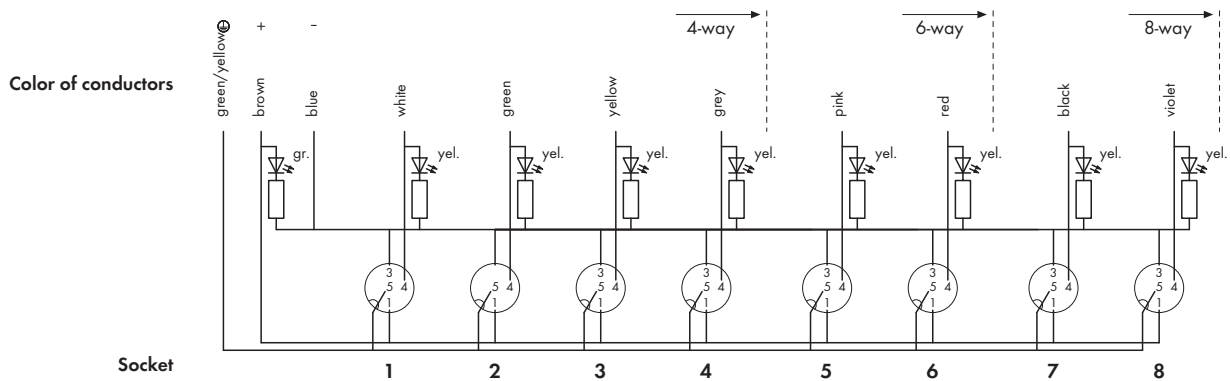
4-pole, with cable connection



- 4-, 6- and 8-way sensor/actuator boxes
- 4 poles (1 signal per contact)
- Cable length 5 and 10 m
- Green LED operating indicator
- Yellow LED status indicator
- incl. markers (10 pcs)
- incl. M12 protective caps (2 pcs)

Description	Item No.	Pack. Unit
M12 sensor/actuator box		
4-way, 4-pole, 5m connecting cable	757-244/000-005	1
4-way, 4-pole, 10m connecting cable	757-244/000-010	1
6-way, 4-pole, 5m connecting cable	757-264/000-005	1
6-way, 4-pole, 10m connecting cable	757-264/000-010	1
8-way, 4-pole, 5m connecting cable	757-284/000-005	1
8-way, 4-pole, 10m connecting cable	757-284/000-010	1
8-way, 4-pole, 25m connecting cable	757-284/000-025	1
Accessories		
Marker card, marking pen, spacer module and protective cap	see page 596	
IP67 cables and connectors	see page 597 + Section 11	
Approvals		
UL 508	E 175199, UL 508, Class 2 Equipment Components are designed to be supplied through Class 2 power supplies in accordance with UL 1310 or Class 2 transformers in accordance with UL 1585	

Electrical Data	
Contact resistance	≤ 10 mΩ
Operating voltage	10 V ... 30 V DC
Current carrying capacity	2 A per signal; 9 A per SA box
Rated voltage	32 V ~ eff.
Insulation voltage	1 kV / 3 s
Insulation resistance	> 10 ⁹ Ω
Degree of pollution	3 acc. to VDE 0110
Switching function	PNP



Mechanical Data

Degree of protection	IP68 (1 meter water depth for 72 hours) acc. to EN 60529 In fully locked position with the appropriate plugs or protective caps
Operating temperature	-25 °C ... +80 °C (current load according to derating curve)
Fixing	Screw mounting
Dimensions (mm) W x H x L	4-way: 60 x 26 x 117 6-way: 60 x 26 x 123 8-way: 60 x 26 x 152
Weight	4-way: 165 g 6-way: 180 g 8-way: 215 g without cable
Mounting position	any
Vibration resistance	acc. to IEC 60068-2-6
Shock resistance	acc. to IEC 60068-2-27

Material Data

General	Silicon and halogen free
Potting	Fully encapsulated with conformal coating (UL 94 V0)
Enclosure	PA 66 (UL 94 V0); RAL 7035
Contacts	
I/O slot	Socket, M12 x 1, 4-pole incl. PE
Contact	CuSn, pre-nickelated and 0.8 µm gold-plated
Tapped bush	Zn diecast nickel-plated
Seal	Viton
Connection cycles	50
Connecting cable	
Cable design	Outer sheath PUR halogen-free Black Cable end 100 mm stripped
Cable Ø	7.5 mm SA box 4-way 7.8 mm SA box 6-way 8.2 mm SA box 8-way
Conductor design	n x 0.34 mm ² + 3 x 1.00 mm ² conductor 0.34 mm ² extra-fine stranded 43 x 0.1 mm conductor 1.00 mm ² extra-fine stranded 55 x 0.15 mm color identification of conductors
Suitable for drag chain applications	
bending radius	min. 10 x cable Ø
amb. temperature range	-40 °C ... +90 °C stagnant; -5 °C ... +80 °C moving