

Printview: Female connector; with fixing flanges; 2-pole; pin spacing 5 mm / 0.197 in; 100% protected against mismatching; codable; for screw or similar mounting types; for panel mounting; for screw or similar mounting types - Item No.: 721-102/031-000

Female connector; with fixing flanges; 2-pole; pin spacing 5 mm / 0.197 in; 100% protected against mismatching; codable; for screw or similar mounting types; for panel mounting; for screw or similar mounting types

Item No.: 721-102/031-000



Female connector; with fixing flanges; 2-pole; pin spacing 5 mm / 0.197 in; 100% protected against mismatching; codable; for screw or similar mounting types; for panel mounting; for screw or similar mounting types

Marking

RoHS ✓
Compliant

Business data

Supplier	WAGO
Item no.	721-102/031-000
GTIN / EAN	4044918353052
Content	1
Order amount	100
Customer item number	

Notes

Universal connection for all conductor types Easy cable pre-assembly and on-unit wiring via vertical and horizontal CAGE CLAMP® actuation Integrated test ports 100% protected against mismatching Coding option available

Technical data

Miscellaneous

No. of poles	2
Pin Spacing	5 mm / 0.197 in %
Total number of connection points	2
Total number of potentials	2
Color	light gray

Printview: Female connector; with fixing flanges; 2-pole; pin spacing 5 mm / 0.197 in; 100% protected against mismatching; codable; for screw or similar mounting types; for panel mounting; for screw or similar mounting types - Item No.: 721-102/031-000

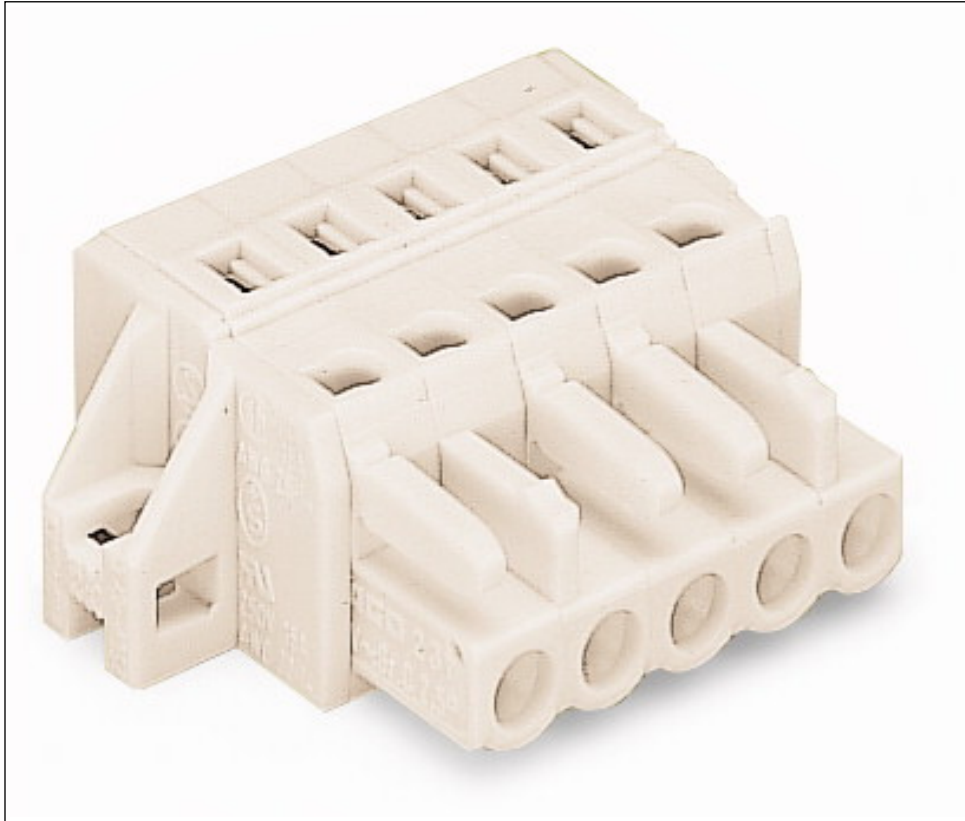
Technical data	
<i>Ratings according to 1</i>	<i>IEC/EN 60664-1</i>
<i>Overvoltage category EN 1</i>	<i>III</i>
<i>Pollution degree (1)</i>	<i>2</i>
<i>Rated voltage EN (1) [V]</i>	<i>320 [V]</i>
<i>Rated surge voltage (1) [kV]</i>	<i>4 [kV]</i>
<i>Nominal current [A]</i>	<i>16 [A]</i>
<i>Overvoltage category EN 2</i>	<i>II</i>
<i>Degree of pollution (2)</i>	<i>2</i>
<i>Rated voltage EN (2) [V]</i>	<i>630 [V]</i>
<i>Rated surge voltage (2) [kV]</i>	<i>4 [kV]</i>
<i>Nominal current (2) [A]</i>	<i>16 [A]</i>
<i>Overvoltage category EN 3</i>	<i>III</i>
<i>Degree of pollution (3)</i>	<i>3</i>
<i>Rated voltage EN (3) [V]</i>	<i>320 [V]</i>
<i>Rated surge voltage (3) [kV]</i>	<i>4 [kV]</i>
<i>Nominal current (3) [A]</i>	<i>16 [A]</i>
<i>Number of individual connection objects at the product</i>	<i>1</i>
<i>Connection technology (1)</i>	<i>CAGE CLAMP®</i>
<i>Solid sizes 1</i>	<i>0.08 ... 2.5 mm² / 28 ... 12 AWG</i>
<i>Fine-stranded wires 1</i>	<i>0.08 ... 2.5 mm² / 28 ... 12 AWG</i>
<i>Fine-stranded wires with insulated ferrule 1</i>	<i>0.25 ... 1.5 mm² / ...</i>
<i>Fine-stranded wires with uninsulated ferrule 1</i>	<i>0.25 ... 2.5 mm² / ...</i>
<i>Strip length 1</i>	<i>8 ... 9 mm / 0.31 ... 0.35 in</i>
<i>Material group</i>	<i>I</i>
<i>Insulating material</i>	<i>Polyamide 66 (PA 66)</i>
<i>Flammability rating per UL 94</i>	<i>V0</i>
<i>Limit temperature range</i>	<i>-60 C ... 85 C</i>
<i>Clamping spring material</i>	<i>Chrome-nickel spring steel (CrNi)</i>
<i>Contact material</i>	<i>Copper alloy</i>
<i>Contact plating</i>	<i>tin-plated</i>
<i>Fire load [MJ]</i>	<i>0.079 [MJ]</i>
<i>Weight [g]</i>	<i>4.534 [g]</i>
<i>Width</i>	<i>24.8 mm / 0.976 in</i>

Printview: Female connector; with fixing flanges; 2-pole; pin spacing 5 mm / 0.197 in; 100% protected against mismatching; codable; for screw or similar mounting types; for panel mounting; for screw or similar mounting types - Item No.: 721-102/031-000

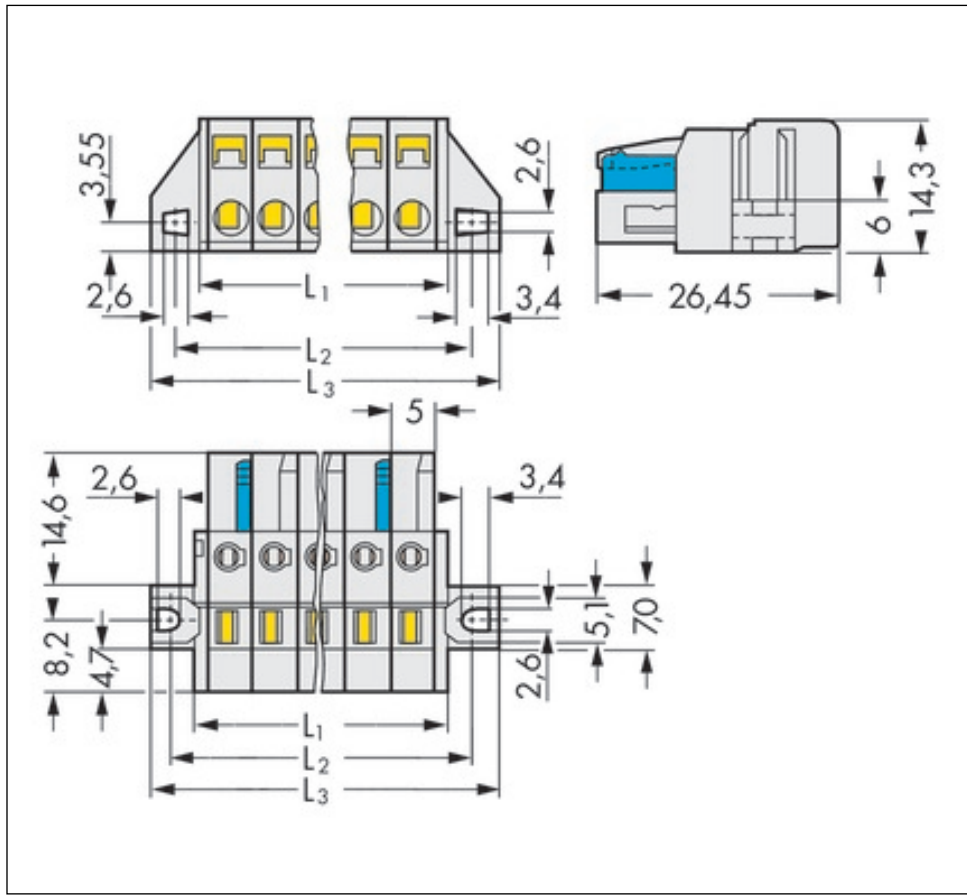
Technical data	
<i>Height</i>	<i>14.3 mm / 0.563 in</i>
<i>Length</i>	<i>26.45 mm / 1.041 in</i>

Printview: Female connector; with fixing flanges; 2-pole; pin spacing 5 mm / 0.197 in; 100% protected against mismatching; codable; for screw or similar mounting types; for panel mounting; for screw or similar mounting types - Item No.: 721-102/031-000

Images & drawings



Printview: Female connector; with fixing flanges; 2-pole; pin spacing 5 mm / 0.197 in; 100% protected against mismatching; codable; for screw or similar mounting types; for panel mounting; for screw or similar mounting types - Item No.: 721-102/031-000



Address

WAGO Kontakttechnik GmbH & Co. KG

Hansastr. 27

32423 Minden

Telefon: 0571/887-0

Fax: 0571/887-169

<http://www.wago.com>

© WAGO Kontakttechnik GmbH & Co. KG

Technische Änderungen und Irrtümer vorbehalten.