

Female connector with gripping plate; Cable bundle function and unlocking aid; 3-pole; Pin spacing 3.5 mm / 0.138 in

Item No.: 2091-1103/002-000



Female connector with gripping plate; Cable bundle function and unlocking aid; 3-pole; Pin spacing 3.5 mm / 0.138 in

Marking

RoHS ✓
Compliant

Business data

Supplier	WAGO
Item no.	2091-1103/002-000
GTIN / EAN	4050821411635
Content	1
Order amount	100
Customer item number	

Notes

Universal connection of all conductor types Simple, push-in termination of solid and ferruled conductors Easy-to-use design does not require special tools Ability to wire while mated or unmated Testing parallel to conductor entry – tip contact Also available with gripping plates Integrated locking latches prevent accidental disconnection

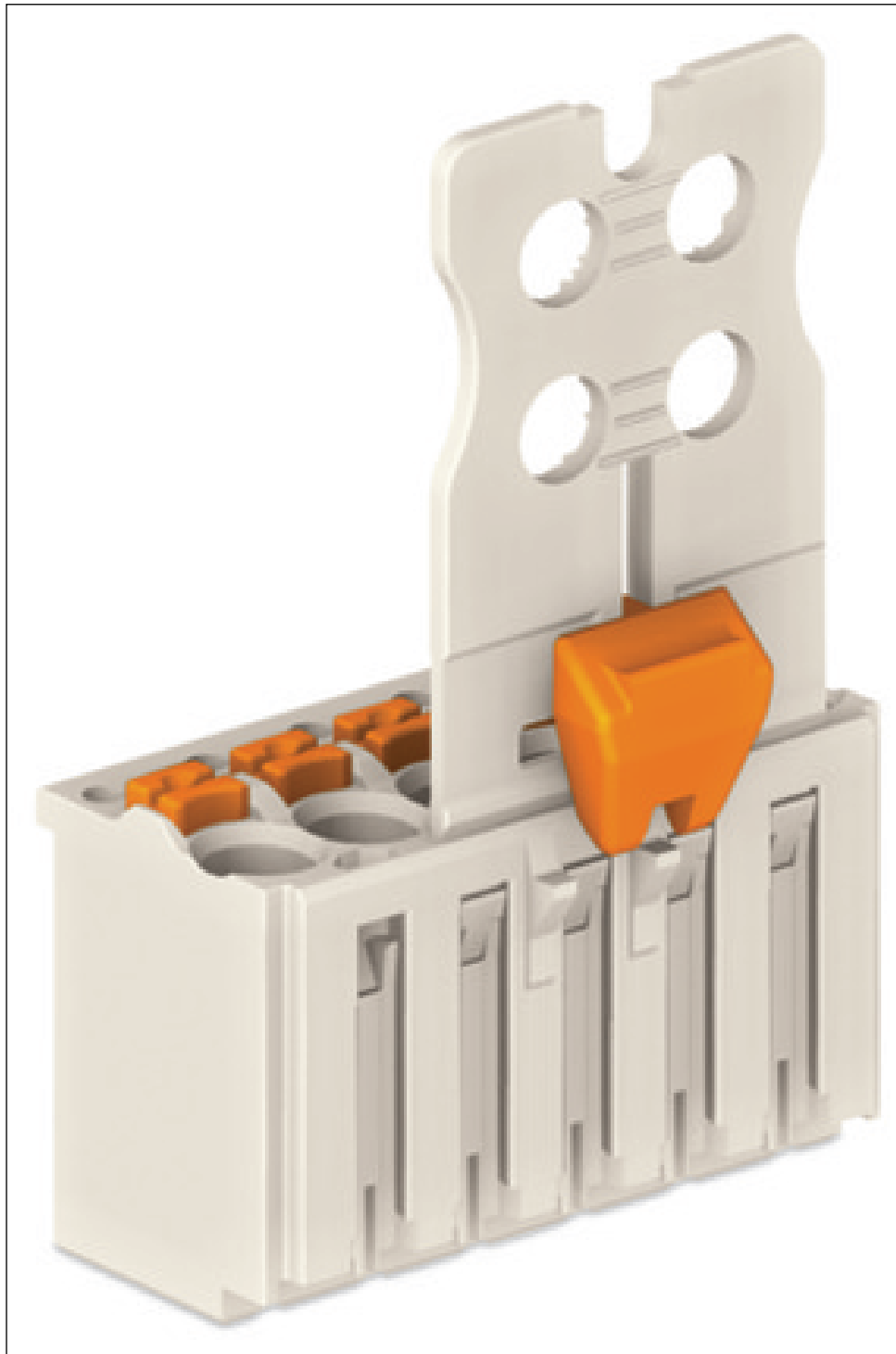
Technical data

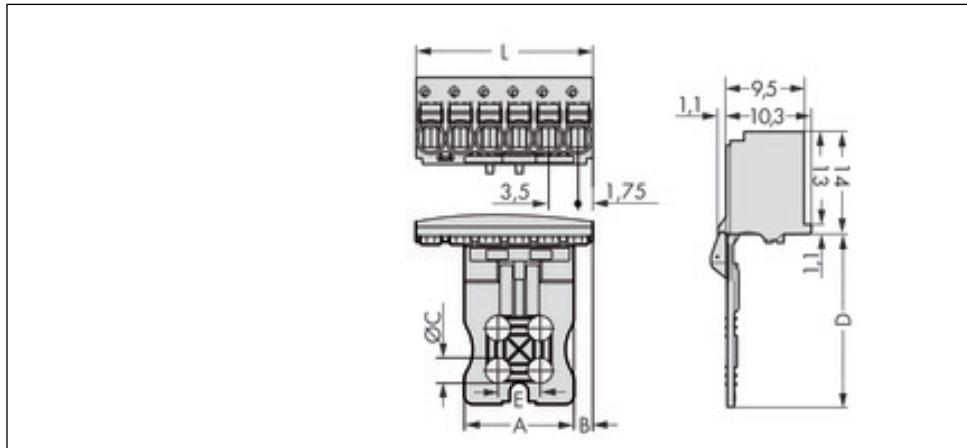
Miscellaneous

No. of poles	3
Pin Spacing	3.5 mm (0.138 in %)
Total number of connection points	3
Total number of potentials	3
Color	light gray
Ratings according to 1	IEC/EN 60664-1
Overvoltage category EN 1	III

Technical data	
<i>Pollution degree (1)</i>	2
<i>Rated voltage EN (1) [V]</i>	160 [V]
<i>Rated surge voltage (1) [kV]</i>	2.5 [kV]
<i>Nominal current [A]</i>	10 [A]
<i>Overvoltage category EN 2</i>	II
<i>Degree of pollution (2)</i>	2
<i>Rated voltage EN (2) [V]</i>	320 [V]
<i>Rated surge voltage (2) [kV]</i>	2.5 [kV]
<i>Nominal current (2) [A]</i>	10 [A]
<i>Overvoltage category EN 3</i>	III
<i>Degree of pollution (3)</i>	3
<i>Rated voltage EN (3) [V]</i>	160 [V]
<i>Rated surge voltage (3) [kV]</i>	2.5 [kV]
<i>Nominal current (3) [A]</i>	10 [A]
<i>Number of individual connection objects at the product</i>	1
<i>Connection technology (1)</i>	Push-in CAGE CLAMP®
<i>Solid sizes 1</i>	0.2 ... 1.5 mm ² / 24 ... 14 AWG
<i>Fine-stranded wires 1</i>	0.2 ... 1.5 mm ² / 24 ... 14 AWG
<i>Fine-stranded wires with insulated ferrule 1</i>	0.25 ... 0.75 mm ² / ...
<i>Fine-stranded wires with uninsulated ferrule 1</i>	0.25 ... 1.5 mm ² / ...
<i>Strip length 1</i>	8 ... 9 mm / 0.31 ... 0.35 in
<i>Material group</i>	I
<i>Insulating material</i>	Polyphthalamid (PPA GF)
<i>Flammability rating per UL 94</i>	V0
<i>Limit temperature range</i>	-60 C ... 100 C
<i>Clamping spring material</i>	Chrome-nickel spring steel (CrNi)
<i>Contact material</i>	Electrolytic copper (Ecu)
<i>Contact plating</i>	tin-plated
<i>Fire load [MJ]</i>	0.039 [MJ]
<i>Weight [g]</i>	1.568 [g]
<i>Width</i>	10.5 mm / 0.413 in
<i>Height</i>	31 mm / 1.22 in
<i>Length</i>	12.4 mm / 0.488 in

Images & drawings





Address

WAGO Kontakttechnik GmbH & Co. KG

Hansastr. 27

32423 Minden

Telefon: 0571/887-0

Fax: 0571/887-169

<http://www.wago.com>

© WAGO Kontakttechnik GmbH & Co. KG

Technische Änderungen und Irrtümer vorbehalten.