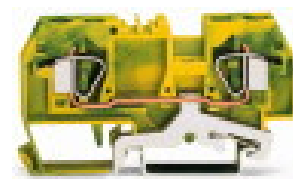


## 2-conductor ground terminal block

Item No.: 282-907



2-conductor ground terminal block

### Marking

RoHS ✓  
Compliant

### Business data

Supplier	WAGO
Item no.	282-907
GTIN / EAN	4044918471794
Content	1
Order amount	50
Customer item number	

### Notes

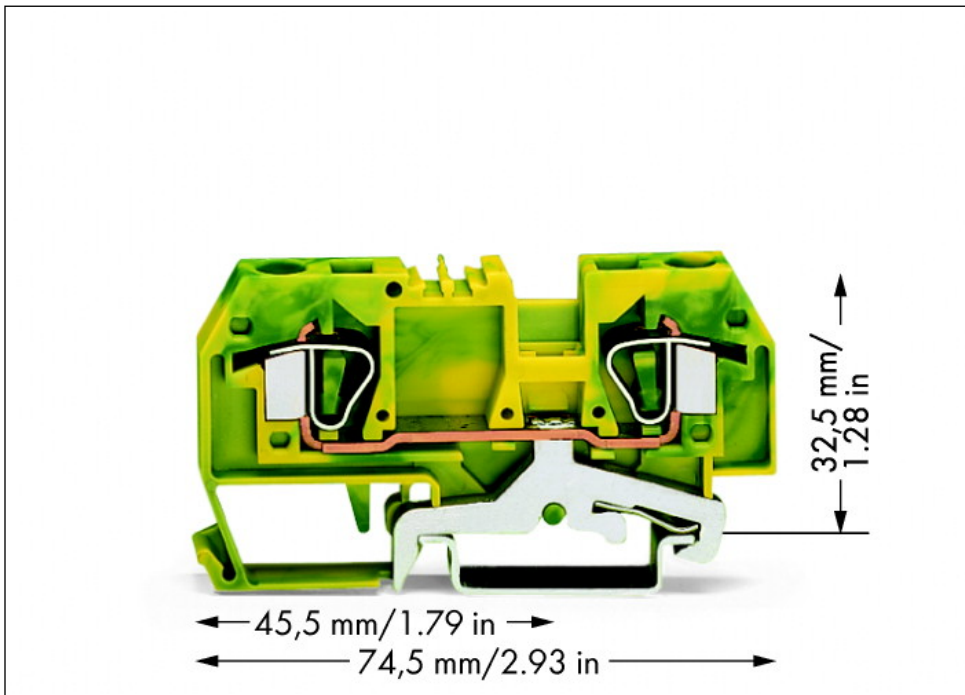
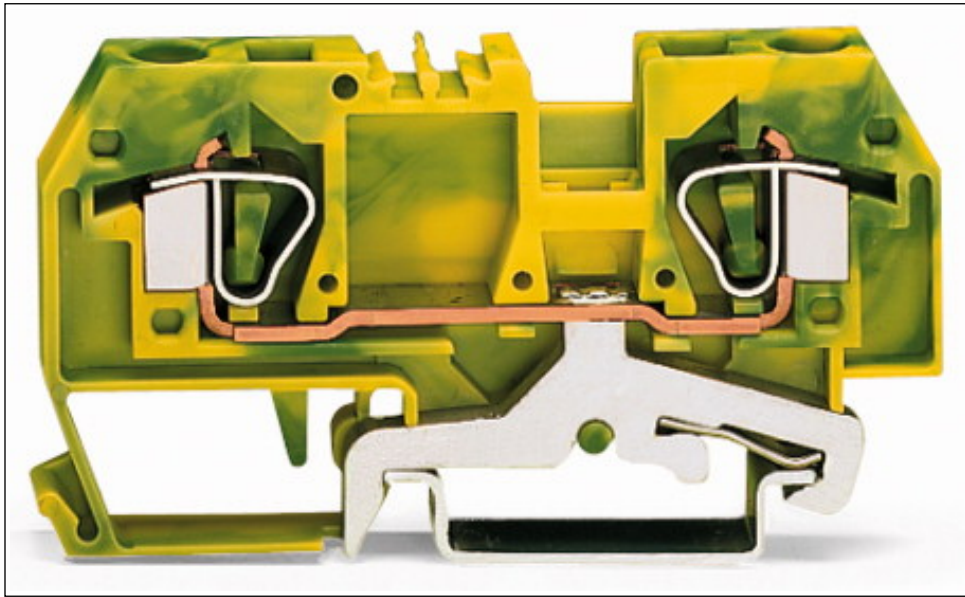
### Technical data

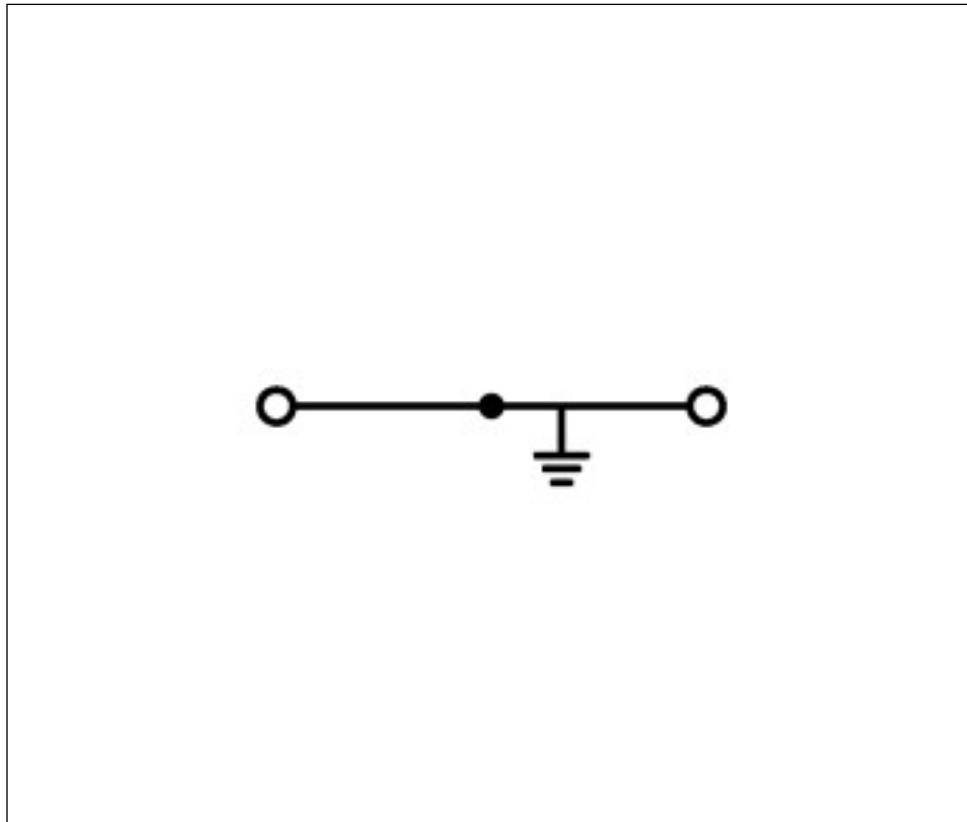
#### Miscellaneous

Total number of connection points	2
Total number of potentials	1
Color	green-yellow
Ratings according to 1	IEC/EN 60947-7-2
Connection technology (1)	CAGE CLAMP®
Solid sizes 1	0.2 ... 6 mm <sup>2</sup> / 24 ... 10 AWG
Fine-stranded wires 1	0.2 ... 6 mm <sup>2</sup> / 24 ... 10 AWG
Strip length 1	12 ... 13 mm / 0.47 ... 0.51 in
Type of wiring	Front-entry wiring
Design	horizontal

<b>Technical data</b>	
<i>Marking level</i>	<i>Center marking</i>
<i>Insulating material</i>	<i>Polyamide 66 (PA 66)</i>
<i>Fire load [MJ]</i>	<i>0.247 [MJ]</i>
<i>Weight [g]</i>	<i>22.03 [g]</i>
<i>Width</i>	<i>8 mm / 0.315 in</i>
<i>Height from upper-edge of DIN-rail [mm]</i>	<i>32.5 [mm]</i>
<i>Height from upper-edge of DIN-rail</i>	<i>32.5 mm / 1.28 in</i>
<i>Length</i>	<i>74.5 mm / 2.933 in</i>
<i>Type of mounting</i>	<i>DIN 35 rail</i>

Images & drawings





#### Address

WAGO Kontakttechnik GmbH & Co. KG

Hansastr. 27

32423 Minden

Telefon: 0571/887-0

Fax: 0571/887-169

<http://www.wago.com>

© WAGO Kontakttechnik GmbH & Co. KG

Technische Änderungen und Irrtümer vorbehalten.