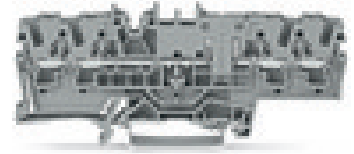


4-conductor through terminal block; with test option; same profile as 4-conductor disconnect terminal block

Item No.: 2002-1801



4-conductor through terminal block; with test option; same profile as 4-conductor disconnect terminal block

Marking

RoHS ✓
Compliant

Business data

| | |
|----------------------|---------------|
| Supplier | WAGO |
| Item no. | 2002-1801 |
| GTIN / EAN | 4045454974671 |
| Content | 1 |
| Order amount | 50 |
| Customer item number | |

Notes

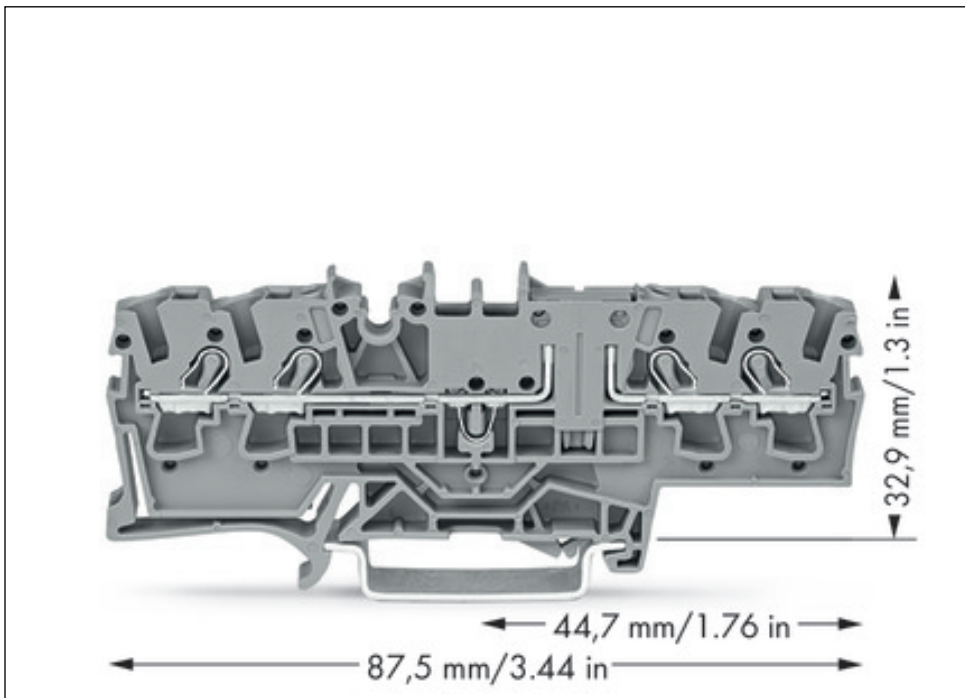
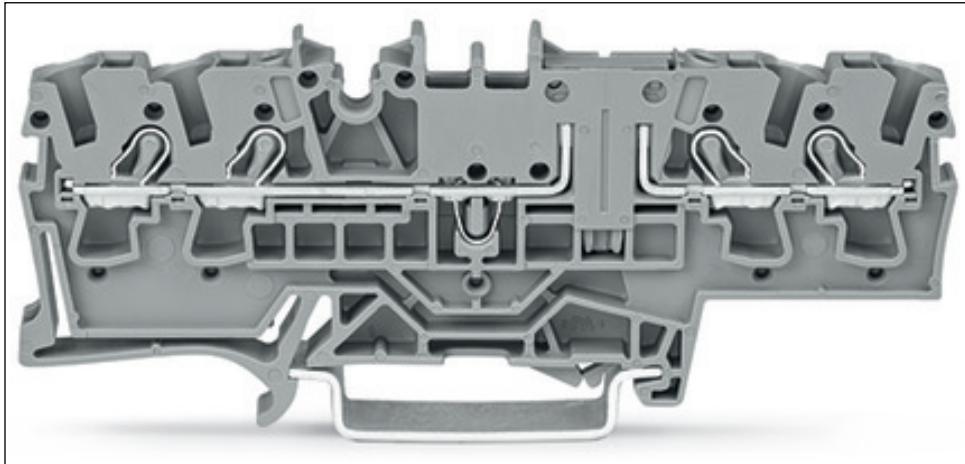
Technical data

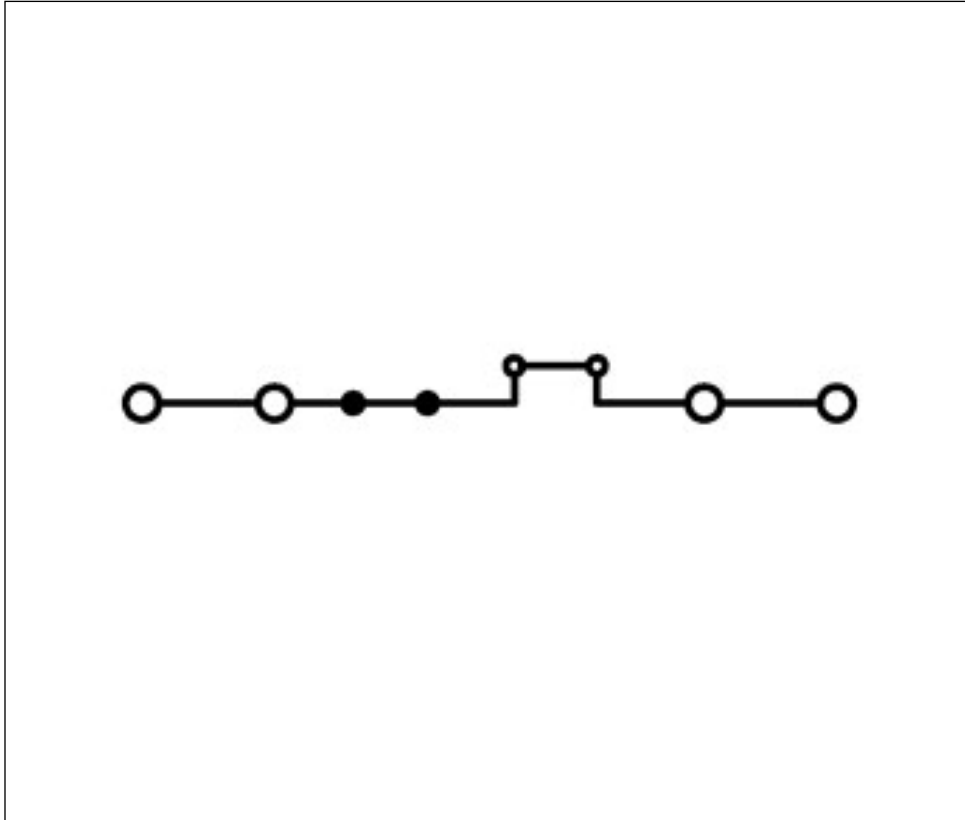
Miscellaneous

| | |
|-----------------------------------|---------------------|
| Total number of connection points | 4 |
| Total number of potentials | 1 |
| Color | gray |
| Ratings according to 1 | IEC/EN 60947-7-1 |
| Pollution degree (1) | 3 |
| Rated voltage EN (1) [V] | 400 [V] |
| Rated surge voltage (1) [kV] | 6 [kV] |
| Nominal current [A] | 16 [A] |
| Connection technology (1) | Push-in CAGE CLAMP® |

| Technical data | |
|---|--|
| <i>Nominal cross section 1</i> | <i>2.5 mm²</i> |
| <i>Solid sizes 1</i> | <i>0.25 ... 4 mm² / 22 ... 12 AWG</i> |
| <i>solid, directly pluggable 1</i> | <i>0.75 ... 4 mm² / 18 ... 12 AWG</i> |
| <i>Fine-stranded wires 1</i> | <i>0.25 ... 4 mm² / 22 ... 12 AWG</i> |
| <i>min. fine-stranded with insulated ferrule, push-in terminati</i> | <i>0.75 mm² / 18 AWG</i> |
| <i>Strip length 1</i> | <i>10 ... 12 mm / 0.39 ... 0.47 in</i> |
| <i>Type of wiring</i> | <i>Front-entry wiring</i> |
| <i>Design</i> | <i>horizontal</i> |
| <i>Marking level</i> | <i>Center/Side marking</i> |
| <i>Insulating material</i> | <i>Polyamide 66 (PA 66)</i> |
| <i>Fire load [MJ]</i> | <i>0.2 [MJ]</i> |
| <i>Weight [g]</i> | <i>9.873 [g]</i> |
| <i>Width</i> | <i>5.2 mm / 0.205 in</i> |
| <i>Height from upper-edge of DIN-rail [mm]</i> | <i>32.9 [mm]</i> |
| <i>Height from upper-edge of DIN-rail</i> | <i>32.9 mm / 1.295 in</i> |
| <i>Length</i> | <i>87.5 mm / 3.445 in</i> |
| <i>Type of mounting</i> | <i>DIN 35 rail</i> |

Images & drawings





Address

WAGO Kontakttechnik GmbH & Co. KG

Hansastr. 27

32423 Minden

Telefon: 0571/887-0

Fax: 0571/887-169

<http://www.wago.com>

© WAGO Kontakttechnik GmbH & Co. KG

Technische Änderungen und Irrtümer vorbehalten.