

PROLINE G2 FULL SUBPANEL (REAR OR SIDE)

APPLICATION

The PROLINE G2 Subpanel is part of the new patent pending EZ Load Mounting System which was designed to maximize space utilization and to make loading the subpanel simpler and safer by providing a variety of loading options. The EZ Load Glide Blocks can be used to load a subpanel vertically from the front, rear or side. Additionally, they can be used to load the subpanel horizontally—a new method for a more controlled option to load a subpanel into a modular enclosure.

FEATURES

- Accommodates five loading options: vertical front, vertical side, vertical rear, horizontal front (frame over subpanel), horizontal rear (subpanel lowered into frame)
- Large mounting subpanel; maximum internal space efficiency
- Mounting subpanel is securely fastened at the top and bottom of the enclosure

SPECIFICATIONS

- Includes four sets of EZ Load Mounting Blocks, four BV-M6 fasteners (block to frame) and four M12 Hex Bolts (subpanel to block)
- Subpanels can be mounted at any depth in 25 mm increments (front to back)
- Accommodates back-to-back subpanels and fully recessed rear position
- Panels can be installed in the rearmost position, or positioned so joined (ganged) enclosures provide a continuous mounting surface without requiring joining panels
- High space efficiency ratio (HxW of subpanel)/(HxW of frame) of 84 percent
- Side-mount panels must be used for the sides of the enclosure; they can be installed on the interior sides of frames
- Widths of 1200 mm are 10 gauge (3.0 mm) mild steel; widths less than 1200 mm are 12 gauge (2.5 mm)
- Galvanized or painted options
- Optional panel support bracket available for applications requiring more support in the center of the subpanel; this is required if the enclosure will be tipped in transit or if the panel is not located at the bottom of the enclosure on the glide blocks
- Optional panel support base for the bottom of the enclosure provides additional support for heavy loads

Galvanized – Additional Specifications

- Plated to provide corrosion resistance while maintaining a metal to metal contact

FINISH

- Painted polyester powder paint
- Dip coated primed
- Custom colors available

LOAD RATING

- 2000 lbs (907 kg), safety factor 2.5; frame size: 2000x600x800 mm (load ratings vary by frame size)

ACCESSORIES

- Joining Subpanels
- Panel Support Bracket
- Panel Support Brace
- Transformer Rails
- Swing-out panel
- Partial subpanel

BULLETIN: P40
Standard Product Rear Mount

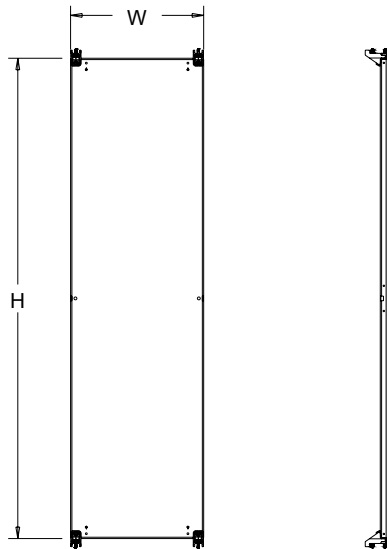
Catalog Number	H (mm)	H (in.)	W (mm)	W (in.)	Gauge	Fits Frame H x W	Description
P2P66	506	19.9	528	20.8	12	600x600	Painted
P2P66G	506	19.9	528	20.8	12	600x600	Plated
P2P68	506	19.9	728	28.7	12	600x800	Painted
P2P68G	506	19.9	728	28.7	12	600x800	Plated
P2P86	706	27.8	528	20.8	12	800x600	Painted
P2P86G	706	27.8	528	20.8	12	800x600	Plated
P2P88	706	27.8	728	28.7	12	800x800	Painted
P2P88G	706	27.8	728	28.7	12	800x800	Plated
P2P106	906	35.7	528	20.8	12	1000x600	Painted
P2P106G	906	35.7	528	20.8	12	1000x600	Plated
P2P108	906	35.7	728	28.7	12	1000x800	Painted
P2P108G	906	35.7	728	28.7	12	1000x800	Plated
P2P1012	906	35.7	1128	44.4	10	1000x1200	Painted
P2P1012G	906	35.7	1128	44.4	10	1000x1200	Plated
P2P126	1106	43.6	528	20.8	12	1200x600	Painted
P2P126G	1106	43.6	528	20.8	12	1200x600	Plated
P2P128	1106	43.6	728	28.7	12	1200x800	Painted
P2P128G	1106	43.6	728	28.7	12	1200x800	Plated
P2P1212	1106	43.6	1128	44.4	10	1200x1200	Painted
P2P1212G	1106	43.6	1128	44.4	10	1200x1200	Plated
P2P146	1306	51.4	528	20.8	12	1400x600	Painted
P2P146G	1306	51.4	528	20.8	12	1400x600	Plated
P2P148	1306	51.4	728	28.7	12	1400x800	Painted
P2P148G	1306	51.4	728	28.7	12	1400x800	Plated
P2P1412	1306	51.4	1128	44.4	10	1400x1200	Painted
P2P1412G	1306	51.4	1128	44.4	10	1400x1200	Plated

Catalog Number	H (mm)	H (in.)	W (mm)	W (in.)	Gauge	Fits Frame H x W	Description
P2P166	1506	59.3	528	20.8	12	1600x600	Painted
P2P166G	1506	59.3	528	20.8	12	1600x600	Plated
P2P168	1506	59.3	728	28.7	12	1600x800	Painted
P2P168G	1506	59.3	728	28.7	12	1600x800	Plated
P2P1612	1506	59.3	1128	44.4	10	1600x1200	Painted
P2P1612G	1506	59.3	1128	44.4	10	1600x1200	Plated
P2P1616	1506	59.3	1528	60.2	10	1600x1600	Painted
P2P1616G	1506	59.3	1528	60.2	10	1600x1600	Plated
P2P184	1706	67.2	328	12.9	12	1800x400	Painted
P2P184G	1706	67.2	328	12.9	12	1800x400	Plated
P2P186	1706	67.2	528	20.8	12	1800x600	Painted
P2P186G	1706	67.2	528	20.8	12	1800x600	Plated
P2P188	1706	67.2	728	28.7	12	1800x800	Painted
P2P188G	1706	67.2	728	28.7	12	1800x800	Plated
P2P1810	1706	67.2	928	36.5	12	1800x1000	Painted
P2P1810G	1706	67.2	928	36.5	12	1800x1000	Plated
P2P1812	1706	67.2	1128	44.4	10	1800x1200	Painted
P2P1812G	1706	67.2	1128	44.4	10	1800x1200	Plated
P2P1816	1706	67.2	1528	60.2	10	1800x1600	Painted
P2P1816G	1706	67.2	1528	60.2	10	1800x1600	Plated
P2P1818	1706	67.2	1728	68.0	10	1800x1800	Painted
P2P1818G	1706	67.2	1728	68.0	10	1800x1800	Plated
P2P204	1906	75.1	328	12.9	12	2000x400	Painted
P2P204G	1906	75.1	328	12.9	12	2000x400	Plated
P2P206	1906	75.1	528	20.8	12	2000x600	Painted
P2P206G	1906	75.1	528	20.8	12	2000x600	Plated
P2P208	1906	75.1	728	28.7	12	2000x800	Painted
P2P208G	1906	75.1	728	28.7	12	2000x800	Plated
P2P2010	1906	75.1	928	36.5	12	2000x1000	Painted
P2P2010G	1906	75.1	928	36.5	12	2000x1000	Plated
P2P2012	1906	75.1	1128	44.4	10	2000x1200	Painted
P2P2012G	1906	75.1	1128	44.4	10	2000x1200	Plated
P2P2016	1906	75.1	1528	60.2	10	2000x1600	Painted
P2P2016G	1906	75.1	1528	60.2	10	2000x1600	Plated
P2P2018	1906	75.1	1728	68.0	10	2000x1800	Painted
P2P2018G	1906	75.1	1728	68.0	10	2000x1800	Plated
P2P226	2106	82.9	528	20.8	12	2200x600	Painted
P2P226G	2106	82.9	528	20.8	12	2200x600	Plated
P2P228	2106	82.9	728	28.7	12	2200x800	Painted
P2P228G	2106	82.9	728	28.7	12	2200x800	Plated
P2P2210	2106	82.9	928	36.5	12	2200x1000	Painted
P2P2210G	2106	82.9	928	36.5	12	2200x1000	Plated
P2P2212	2106	82.9	1128	44.4	10	2200x1200	Painted
P2P2212G	2106	82.9	1128	44.4	10	2200x1200	Plated
P2P2216	2106	82.9	1528	60.2	10	2200x1600	Painted
P2P2216G	2106	82.9	1528	60.2	10	2200x1600	Plated
P2P2218	2106	82.9	1728	68.0	10	2200x1800	Painted
P2P2218G	2106	82.9	1728	68.0	10	2200x1800	Plated

Standard Product **Side Mount**

Catalog Number	H (mm)	H (in.)	D (mm)	D (in.)	Gauge	Fits Frame H x D	Description
P2PSM64	527	20.7	253	10.0	12	600x400	Painted
P2PSM64G	527	20.7	253	10.0	12	600x400	Plated
P2PSM66	527	20.7	453	17.8	12	600x600	Painted
P2PSM66G	527	20.7	453	17.8	12	600x600	Plated
P2PSM68	527	20.7	653	25.7	12	600x800	Painted
P2PSM68G	527	20.7	653	25.7	12	600x800	Plated
P2PSM86	727	28.6	453	17.8	12	800x600	Painted
P2PSM86G	727	28.6	453	17.8	12	800x600	Plated
P2PSM88	727	28.6	653	25.7	12	800x800	Painted
P2PSM88G	727	28.6	653	25.7	12	800x800	Plated
P2PSM105	927	36.5	353	13.9	12	1000x500	Painted
P2PSM105G	927	36.5	353	13.9	12	1000x500	Plated
P2PSM106	927	36.5	453	17.8	12	1000x600	Painted
P2PSM106G	927	36.5	453	17.8	12	1000x600	Plated
P2PSM108	927	36.5	653	25.7	12	1000x800	Painted
P2PSM108G	927	36.5	653	25.7	12	1000x800	Plated
P2PSM125	1127	44.4	353	13.9	12	1200x500	Painted
P2PSM125G	1127	44.4	353	13.9	12	1200x500	Plated
P2PSM126	1127	44.4	453	17.8	12	1200x600	Painted
P2PSM126G	1127	44.4	453	17.8	12	1200x600	Plated
P2PSM128	1127	44.4	653	25.7	12	1200x800	Painted
P2PSM128G	1127	44.4	653	25.7	12	1200x800	Plated
P2PSM145	1327	44.4	353	13.9	12	1400x500	Painted
P2PSM145G	1327	52.2	353	13.9	12	1400x500	Plated
P2PSM148	1327	52.2	653	25.7	12	1400x800	Painted
P2PSM148G	1327	52.2	653	25.7	12	1400x800	Plated
P2PSM164	1527	60.1	253	10.0	12	1600x400	Painted
P2PSM164G	1527	60.1	253	10.0	12	1600x400	Plated
P2PSM165	1527	60.1	353	13.9	12	1600x500	Painted

Catalog Number	H (mm)	H (in.)	D (mm)	D (in.)	Gauge	Fits Frame H x D	Description
P2PSM165G	1527	60.1	353	13.9	12	1600x500	Plated
P2PSM166	1527	60.1	453	17.8	12	1600x600	Painted
P2PSM166G	1527	60.1	453	17.8	12	1600x600	Plated
P2PSM168	1527	60.1	653	25.7	12	1600x800	Painted
P2PSM168G	1527	60.1	653	25.7	12	1600x800	Plated
P2PSM184	1727	68.0	253	10.0	12	1800x400	Painted
P2PSM184G	1727	68.0	253	10.0	12	1800x400	Plated
P2PSM185	1727	68.0	353	13.9	12	1800x500	Painted
P2PSM185G	1727	68.0	353	13.9	12	1800x500	Plated
P2PSM186	1727	68.0	453	17.8	12	1800x600	Painted
P2PSM186G	1727	68.0	453	17.8	12	1800x600	Plated
P2PSM188	1727	68.0	653	25.7	12	1800x800	Painted
P2PSM188G	1727	68.0	653	25.7	12	1800x800	Plated
P2PSM204	1927	75.9	253	13.9	12	2000x400	Painted
P2PSM204G	1927	75.9	253	13.9	12	2000x400	Plated
P2PSM205	1927	75.9	353	13.9	12	2000x500	Painted
P2PSM205G	1927	75.9	353	13.9	12	2000x500	Plated
P2PSM206	1927	75.9	453	17.8	12	2000x600	Painted
P2PSM206G	1927	75.9	453	17.8	12	2000x600	Plated
P2PSM208	1927	75.9	653	25.7	12	2000x800	Painted
P2PSM208G	1927	75.9	653	25.7	12	2000x800	Plated
P2PSM2010	1927	75.9	853	33.6	12	2000x1000	Painted
P2PSM2010G	1927	75.9	853	33.6	12	2000x1000	Plated
P2PSM225	2127	83.7	353	13.9	12	2200x500	Painted
P2PSM225G	2127	83.7	353	13.9	12	2200x500	Plated
P2PSM226	2127	83.7	453	25.7	12	2200x600	Painted
P2PSM226G	2127	83.7	453	25.7	12	2200x600	Plated
P2PSM228	2127	83.7	653	25.7	12	2200x800	Painted
P2PSM228G	2127	83.7	653	25.7	12	2200x800	Plated
P2PSM2210	2127	83.7	853	33.6	12	2200x1000	Painted
P2PSM2210G	2127	83.7	853	33.6	12	2200x1000	Plated

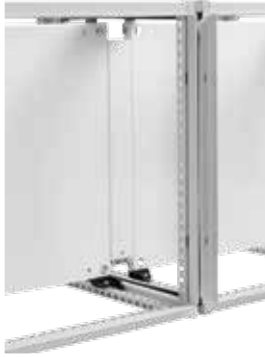


89129500

Model	Component	Type	Height	Width/Depth*	Specialty	Catalog Number
P2	P	Blank	20	8	G	= P2P208G
PROLINE G2	Mounting Subpanel	Blank = full subpanel SM = full, side-mount J = joining P = partial PSM = partial, side-mount SO = swing-out	mm 22 = 2200 20 = 2000 18 = 1800 16 = 1600 14 = 1400 12 = 1200 10 = 1000 8 = 800 6 = 600	mm 18 = 1800 16 = 1600 14 = 1400 12 = 1200 10 = 1000 8 = 800 6 = 600 4 = 400	Blank = painted G = galvanized	

*Width used for full subpanels, partial and swing-out panels; depth used for side mount and partial side mount subpanels; joining subpanels only use height (not width or depth)

PROLINE G2 JOINING SUBPANEL



APPLICATION

The PROLINE G2 Joining Subpanel provides a continuous panel surface in multiple-bay enclosures. The joining subpanel is inserted between full subpanels of equal height. It can be installed from front or rear.

FEATURES

- Provides a continuous panel surface in multiple bay enclosures
- Can be inserted between full mounting subpanels of equal height
- Painted or galvanized options

SPECIFICATIONS

- Can be installed from front or rear
- Subpanels can be mounted at any depth in 25-mm increments (front to back)
- Heights greater than or equal to 1400 mm are 10 gauge (3.0 mm) mild steel; heights less than 1400mm are 12 gauge (2.5 mm)

FINISH

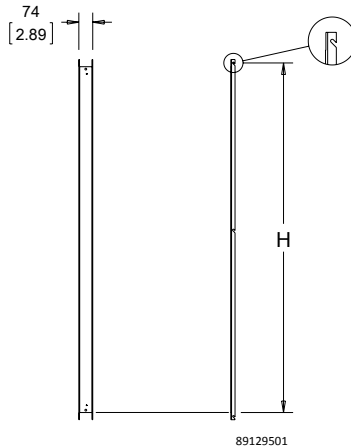
For painted versions:

- Painted polyester powder paint; RAL 7035 textured light gray standard
- Dip coated primed
- Custom colors available

BULLETIN: P40

Standard Product

Catalog Number	Fits Frame Height	Description	H (mm)	H (in.)	W (mm)	W (in.)
P2PJ6	600	Painted	506	19.9	74	2.9
P2PJ6G	600	Plated	506	19.9	74	2.9
P2PJ8	800	Painted	706	27.8	74	2.9
P2PJ8G	800	Plated	706	27.8	74	2.9
P2PJ10	1000	Painted	906	35.7	74	2.9
P2PJ10G	1000	Plated	906	35.7	74	2.9
P2PJ12	1200	Painted	1106	43.5	74	2.9
P2PJ12G	1200	Plated	1106	43.5	74	2.9
P2PJ14	1400	Painted	1306	51.4	74	2.9
P2PJ14G	1400	Plated	1306	51.4	74	2.9
P2PJ16	1600	Painted	1506	59.3	74	2.9
P2PJ16G	1600	Plated	1506	59.3	74	2.9
P2PJ18	1800	Painted	1706	67.2	74	2.9
P2PJ18G	1800	Plated	1706	67.2	74	2.9
P2PJ20	2000	Painted	1906	75.0	74	2.9
P2PJ20G	2000	Plated	1906	75.0	74	2.9
P2PJ22	2200	Painted	2106	82.9	74	2.9
P2PJ22G	2200	Plated	2106	82.9	74	2.9



89129501

Model	Component	Type	Height	Specialty	Catalog Number
P2	P	J	20	G	= P2PJ208G
PROLINE G2	Mounting Subpanel	Blank = full subpanel SM = full, side-mount J = joining P = partial PSM = partial, side-mount SO = swing-out	mm 22 = 2200 20 = 2000 18 = 1800 16 = 1600 14 = 1400 12 = 1200 10 = 1000 8 = 800 6 = 600	Blank = painted G = galvanized	