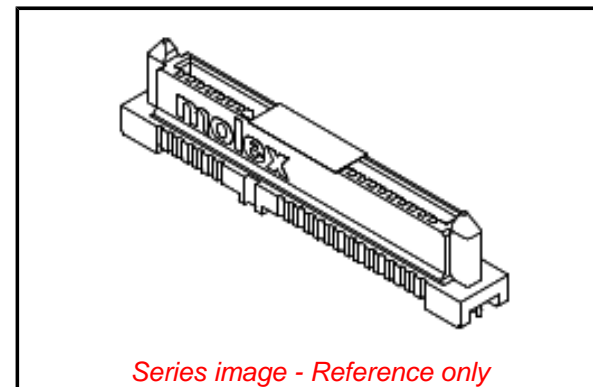


PLEASE CHECK WWW.MOLEX.COM FOR LATEST PART INFORMATION

Part Number: [0877131006](#)
Status: **Active**
Overview: Serial ATA Host Receptacles
Description: 1.27mm Pitch Serial ATA Host Receptacle, Surface Mount, Vertical, Standard Height, with 1.05mm Plastic Locating Peg, 0.76µm Gold (Au) Selective Plating, with Kapton Tape, Tape on Reel Packaging, 22 Circuits, Lead-Free

Documents:

[3D Model](#) [Packaging Specification PK-87713-002 \(PDF\)](#)
[Drawing \(PDF\)](#) [RoHS Certificate of Compliance \(PDF\)](#)
[Product Specification PS-87713-016 \(PDF\)](#)



Agency Certification

CSA LR19980
 UL E29179

General

Product Family PCB Receptacles
 Series [87713](#)
 Application Board-to-Board, Signal
 Comments 1.05mm Plastic Locating Peg
 Overview [Serial ATA Host Receptacles](#)
 Product Name Serial ATA
 UPC 883906317690

Physical

(p)ower-(s)ignal Configuration 15p - 7s
 Circuits (Loaded) 22
 Circuits (maximum) 22
 Durability (mating cycles max) 500
 Flammability 94V-0
 Glow-Wire Compliant No
 Lock to Mating Part Yes
 Material - Metal Copper Alloy
 Material - Plating Mating Gold
 Material - Plating Termination Tin
 Material - Resin High Temperature Thermoplastic
 Net Weight 1.486/g
 Number of Rows 1
 Orientation Vertical
 PCB Locator Yes
 PCB Retention None
 Packaging Type Tray
 Pitch - Mating Interface 1.27mm
 Plating min - Mating 0.762µm
 Plating min - Termination 2.540µm
 Polarized to Mating Part Yes
 Polarized to PCB Yes
 Surface Mount Compatible (SMC) N/A
 Temperature Range - Operating -40°C to +105°C
 Termination Interface: Style Surface Mount

Electrical

Current - Maximum per Contact 1.5A
 Voltage - Maximum 30V

Solder Process Data

Duration at Max. Process Temperature (seconds) 010

EU ELV

Not Relevant

EU RoHS

Compliant

REACH SVHC

Not Contained Per
 -ED/79/2015 (17
 December 2015)

Halogen-Free

Status

Low-Halogen

Need more information on product environmental compliance?

Email productcompliance@molex.com
 Please visit the [Contact Us](#) section for any non-product compliance questions.

China ROHS

ELV

Green Image

Not Relevant

Search Parts in this Series

[87713 Series](#)

Mates With

[87679](#) , [87799](#) , [87703](#)

Lead-free Process Capability	REFLOW
Max. Cycles at Max. Process Temperature	001
Process Temperature max. C	260

Material Info

Reference - Drawing Numbers

Electrical Model Document	EE-78178-001, EE-78328-001, EE-78328-002, EE-87703-003, EE-87713-001
Packaging Specification	PK-87713-002
Product Specification	PS-87713-016
S-Parameter Model	SP-87713-001
Sales Drawing	SD-87713-029

This document was generated on 06/10/2016

PLEASE CHECK WWW.MOLEX.COM FOR LATEST PART INFORMATION