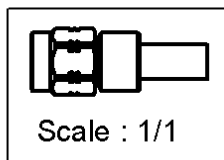
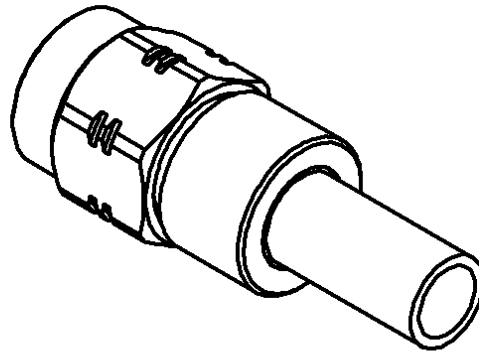
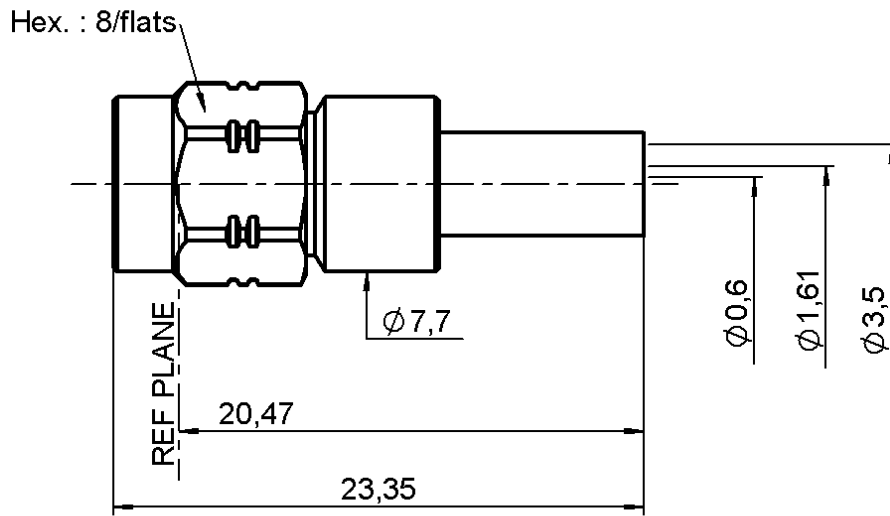


RP SMA STRAIGHT PLUG CRIMP TYPE

R300.124.040

CABLE 2.6/50 D

Series :
REV.POLARITY



All dimensions are in mm.



COMPONENTS	MATERIALS	PLATINGS (µm)
BODY	BRASS	BBR 2
CENTER CONTACT	CuBe2	GOLD 1.3 OVER NICKEL 2
OUTER CONTACT		
INSULATOR	PTFE	
GASKET	SILICONE RUBBER	
OTHERS PARTS	BRASS	BBR 2
-	-	-
-	-	-

Issue : 0343 A

In the effort to improve our products, we reserve the right to make changes judged to be necessary.



RP SMA STRAIGHT PLUG CRIMP TYPE

R300.124.040

CABLE 2.6/50 D

Series :
REV.POLARITY

PACKAGING

Standard	Unit	Other
100	'W' option	Contact us

SPECIFICATION

ELECTRICAL CHARACTERISTICS

Impedance		50 Ω
Frequency		0-12.4 GHz
VSWR	1.15 +	0.020 x F(GHz) Maxi
Insertion loss		0.05 √F(GHz) dB Maxi
RF leakage	- (60 - F(GHz)) dB Maxi
Voltage rating		250 Veff Maxi
Dielectric withstanding voltage		1000 Veff mini
Insulation resistance		5000 MΩ mini

CABLE ASSEMBLY

Stripping	a	b	c	d	e	f
mm	3.00	6.30	10.8	0.00	7.80	0.00

Assembly instruction : **Crimp 02**

Recommended cable(s)
RD 316
K02252D

Characteristics indicated on this data sheet are those that can be achieved with the highest performance cable. Intrinsic limitations of the cable may diminish the performance of the assembly

Cable retention

- pull off **110** N mini
- torque **NA** N.cm

MECHANICAL CHARACTERISTICS

Center contact retention		
Axial force – Mating end		18 N mini
Axial force – Opposite end		18 N mini
Torque		NA N.cm mini

TOOLING

Part Number	Description	Hexagon
.	.	.
R282.271.000	CRIMPING TOOL	3.84
R282.235.037	CRIMPING DIES	3.84
R282.293.000	CRIMPING TOOL	-
R282.967.012	POSITONER FOR CRIMPING TOOL	-
R282.281.000	CRIMPING TOOL	2x4 (pos. 5)

Recommended torque		
Mating		60 N.cm
Panel nut		NA N.cm
Clamp nut		NA N.cm
A/F clamp nut		0.000 mm

Mating life		100 Cycles mini
Weight		4.590 g

OTHERS CHARACTERISTICS

ENVIRONMENTAL

Operating temperature		-65/+165 °C
Hermetic seal		NA Atm.cm3/s
Panel leakage		NA

Issue : 0343 A

In the effort to improve our products, we reserve the right to make changes judged to be necessary.

