

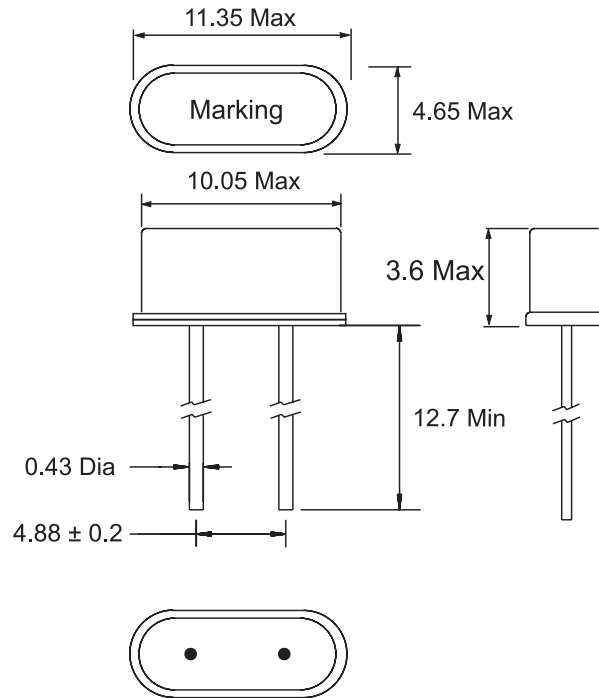
**RoHS Compliant
Pb - Lead Free**

| Ltr | Revisions | Date | Appr |
|-----|-----------|------|------|
| | | | |
| | | | |
| | | | |

Electrical Specifications:

| | | |
|--|-------------------|----------|
| Nominal Frequency | 14.31818 | MHz |
| Mode of Oscillation | Fundamental | - |
| Frequency Tolerance at 25°C | ±30 | PPM Max |
| Frequency Stability over Temperature Range | ±50 | |
| Operating Temperature Range (Extended) | -40 to +85 | ° C |
| Storage Temperature Range | -55 to +125 | |
| Aging per Year | ±3 | PPM Max |
| Load Capacitance | 18 | pF |
| Shunt Capacitance (Maximum) | 7 | |
| Equivalent Series Resistance (ESR) | 50 | Ohms Max |
| Drive Level | 100 Typ - 500 Max | uW |
| Solder Reflow Characteristics | +260 for 10 s Max | ° C |

Mechanical Specifications:



11-3 Chien-Kuo Rd T.E.P.Z. 4027 Taiwan, ROC

All dimensions are millimeters.

CAD: TR

Review: SL

Appr: AL

Page: 1/1 Date: Jan. 16, 2008

Specification Title:

**Quartz Crystal Unit
HC-49/U-S - Through Hole
Product Specification
Farnell Order Code: 1538744**

Part Number: **CA-14.31818-18-3050-X**