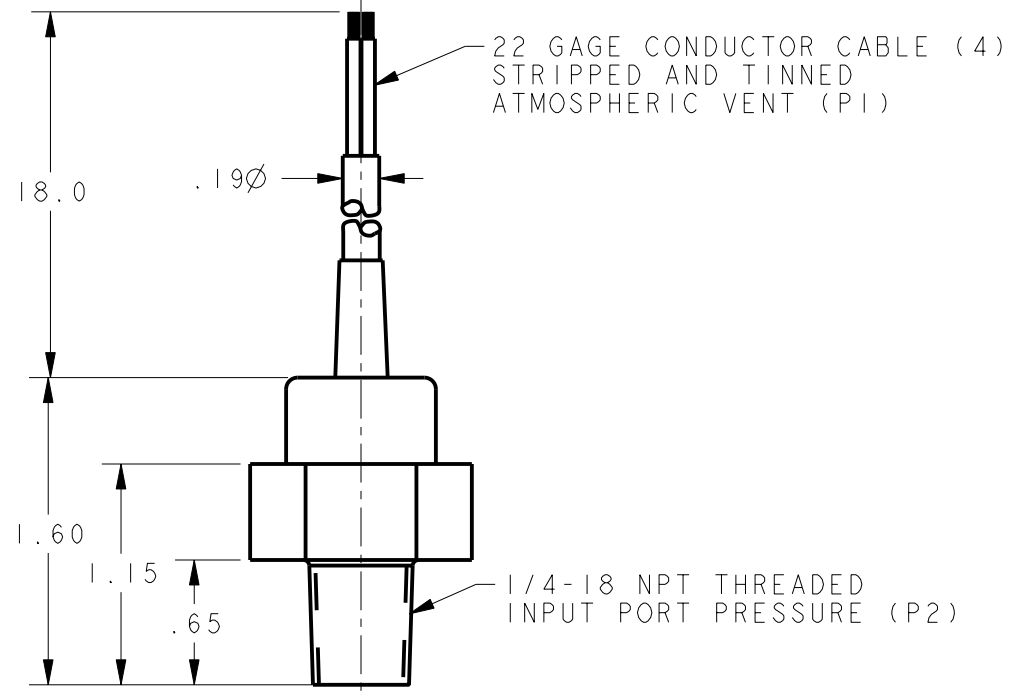
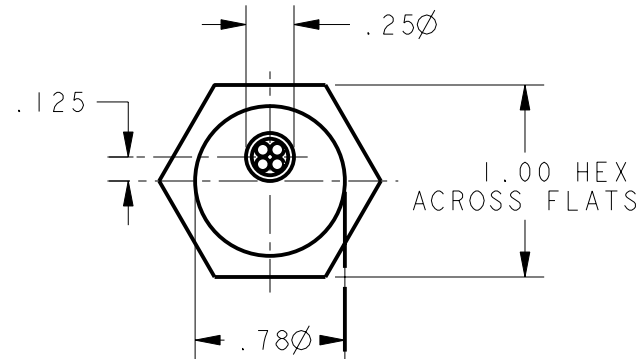


GENERAL OPERATING CHARACTERISTICS  
(ELECTRICAL PERFORMANCE AT 10.0 ± 0.01 VDC EXCITATION, 25°C)

CATALOG LISTING
236PC60GW
236PC100GW
236PC150GW

PARAMETERS	PRESSURE RANGES (PSI)	MIN	TYP	MAX	UNITS
NULL OFFSET	ALL	-2	0	+2	MV
NULL SHIFT <sup>2</sup> 0° < 25°C > 50°			±3.0		
SPAN <sup>1</sup>	0 TO 60G	58	60	62	
	0 TO 100G	98	100	102	
	0 TO 150G	58	60	62	
SENSITIVITY PER PSI	0 TO 60G		1.00		MV/PSI
	0 TO 100G		1.00		
	0 TO 150G		1.00		
SENSITIVITY SHIFT <sup>2</sup> 0° < 25°C > 50° AT 10 VDC	ALL		±1.5		% SPAN
LINEARITY (P2 > P1) (BFSL)	0 TO 60G			±0.50	
	0 TO 100G			±0.50	
	0 TO 150G			±0.50	
REPEATABILITY & HYSTERESIS	ALL		±0.25		
STABILITY OVER 1 YEAR			±1.5		
EXCITATION VOLTAGE			10	16	VDC
INPUT RESISTANCE			6.8K		OHMS
OVERPRESSURE (P2 > P1)	0 TO 60G			100	PSI
	0 TO 100G			150	
	0 TO 150G			225	
TEMPERATURE STORAGE	ALL	-40° TO +105° C (-40° TO +221° F)			
TEMPERATURE OPERATE		-30° TO +70° C (-22° TO +158° F)			
TEMPERATURE COMPENSATED		0° TO +50° C (+32° TO +122° F)			



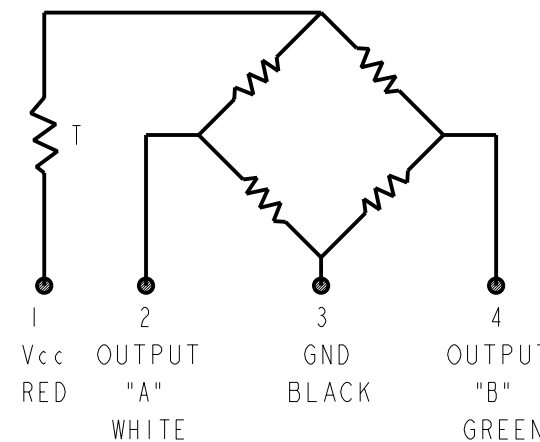
22 GAGE CONDUCTOR CABLE (4)  
STRIPPED AND TINNED  
ATMOSPHERIC VENT (P1)

1/4-18 NPT THREADED  
INPUT PORT PRESSURE (P2)

NOTES

- <sup>1</sup> SPAN IS THE ALGEBRAIC DIFFERENCE BETWEEN END POINTS (OUTPUT AT MINIMUM AND MAXIMUM PRESSURE)
- <sup>2</sup> TEMPERATURE ERROR IS CALCULATED WITH RESPECT TO 25°C AND EXPRESSES THE DEVIATION THAT COULD OCCUR AS TEMPERATURE IS RAISED OR LOWERED TO LIMITS INDICATED
- 3 PRESSURE MEDIUM CAN BE LIQUID OR GASEOUS, SO LONG AS IT DOES NOT REACT WITH SILICON, GLASS, 300 SERIES STAINLESS STEEL OR URETHANE BASED EPOXY

CIRCUIT DIAGRAM



OUTPUT "A"  
INCREASES AS INPUT  
PRESSURE INCREASES

OUTPUT "B"  
DECREASES AS INPUT  
PRESSURE DECREASES

THIRD ANGLE PROJECTION	
SCALE	FULL
DO NOT SCALE PRINT	
UNLESS OTHERWISE SPECIFIED TOLERANCES ARE	
ONE PLACE (.0)	±.030
TWO PLACE (.00)	±.015
THREE PLACE (.000)	±.005
ANGLES	±
WEIGHT	2.0Z

CATALOG LISTING 236PC SERIES CHART 2

ISSUE 7

REVISIONS  
A 206541  
GLH  
20CT02

PTC/CAD 2D  
DRAWN  
GLH  
20CT02

REPLACES -  
RELEASE NO. PR-12997  
PAGE 1 OF 1  
CHECK  
20CT02  
CHECK  
20CT02  
CHECK  
SAV  
CHECK  
20CT02