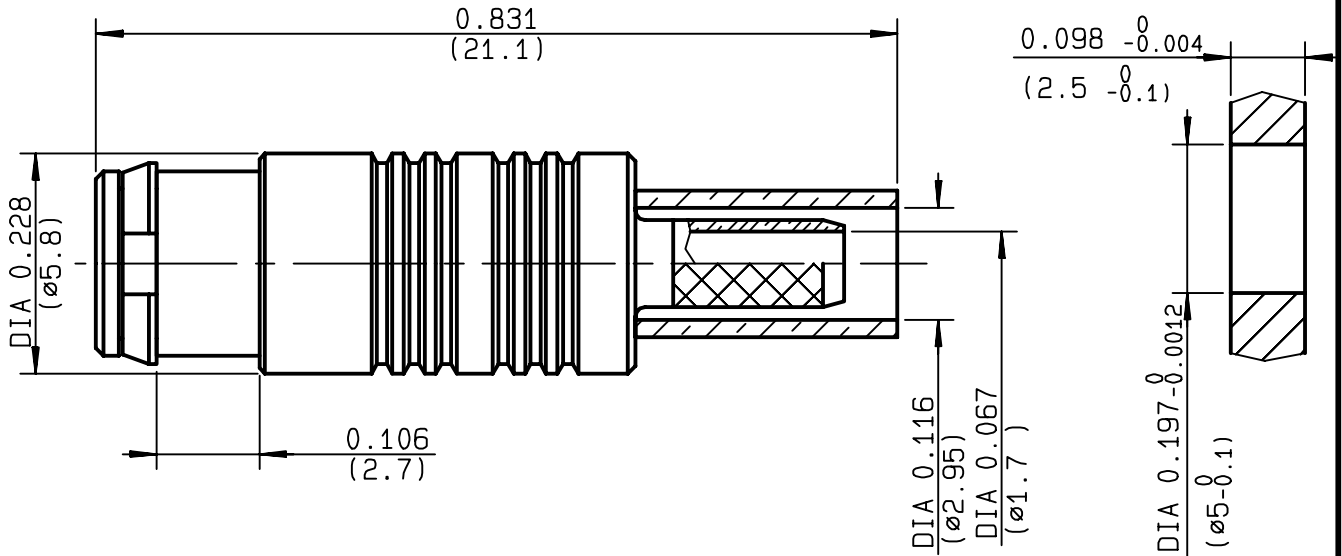


**STRAIGHT JACK PANEL SNAP-ON
FULL CRIMP TYPE - CABLE 2.6/75 S**

R213.238.007
SERIES MCX 75



NOMINAL IMPEDANCE	75 Ω
FREQUENCY RANGE	0-6 GHz
TEMPERATURE RATING	-55/+155 °C
V.S.W.R	1.05 + .02 x F(GHz)Maxi
RF INSERTION LOSS	0.06 √F(GHz) dB Maxi
VOLTAGE RATING	335 Veff Maxi
DIELECTRIC WITHSTANDING VOLTAGE	750 Veff Mini
INSULATION RESISTANCE	1000 MΩMini
HERMETIC SEAL	NA Atm.cm ³ /s
LEAKAGE (pressurized only)	NA
MECHANICAL DURABILITY	500 Cycles
WEIGHT	1.9 gr
SPECIFICATION	

CABLES :	RG 179
	RG 187
OTHERS CHARACTERISTICS	
CABLE RETENTION	53 N Mini
CENTER CONTACT RETENTION	
Axial force - mating end	10 N Mini
Axial force - opposite end	10 N Mini
Torque	NA cm.N Mini
RECOMMENDED TORQUES	
Mating	NA cm.N
Panel nut	NA cm.N
Clamp nut	NA cm.N

CONNECTOR PARTS:	MATERIALS	FINISH	(all values are given in micrometers)
BODY	BRASS	BBR 2	
OUTER CONTACT			
CENTER CONTACT	BERYLLIUM COPPER	GOLD 1.3 OVER NICKEL 2	
INSULATOR	PTFE	-	
GASKET		-	
OTHERS PIECES	BRASS	BBR 2	

ISSUE	CREATION DATE	FILE PART-NUMBER
9916A01	24/07/1996	96-0102-008



AGRIODOS

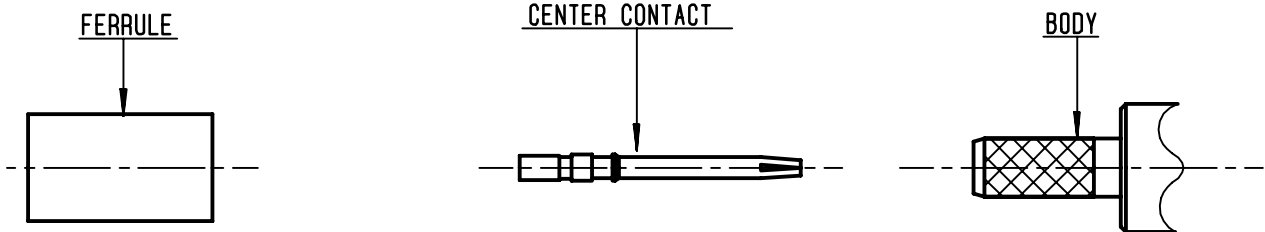
The information given here is subject to change without notice.
Design changes may be in order to improve the product .

Connect to the future



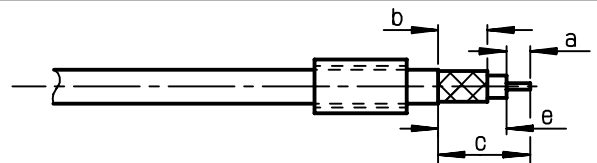
R213.238.007

ISSUE **9916A01** SERIES **MCX 75**



①

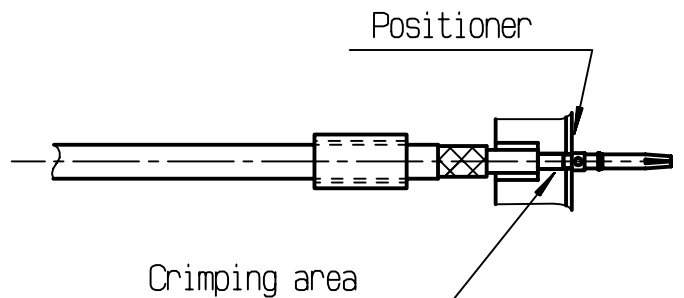
Slide ferrule onto cable .
Strip the cable .
-
-



Stripping	a	b	c	d	e
inch	0.091	0.217	0.406	0	0.315
mm	2.3	5.5	10.3		8

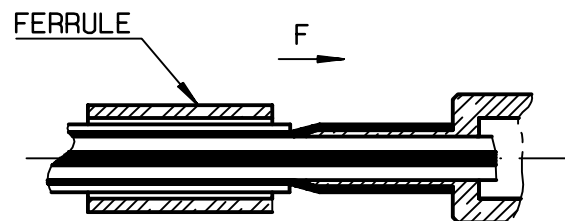
②

Crimp the center contact with the crimping tool R282.271.000 square .028 (carre 0.72)
-
-
-
-
-



③

Open the braid
Slide body under braid
Slide ferrule over the braid
(In direction F)
-



④

Crimp the ferrule with crimping tool R282.271.000 (Hex. : .127) (3.25)
-
-
-
-

