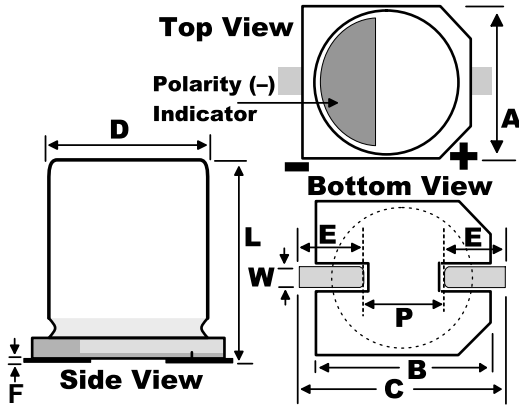


Capacitor, Aluminum, 180 uF, +/-20% Tol, 25 VDC@105C



| Dimensions (mm) |           |           |
|-----------------|-----------|-----------|
| Symbol          | Dimension | Tolerance |
| D               | 10        | +/-0.5    |
| L               | 12.6      | +/-0.3    |
| A               | 10.3      | +/-0.2    |
| B               | 10.3      | +/-0.2    |
| C               | 11        | +/-0.2    |
| W               | 0.8       | +0.3      |
| E               | 3.2       | NOM       |
| P               | 4.6       | NOM       |

| Packaging Specifications |       |
|--------------------------|-------|
| Package Kind:            | T&R   |
| Package Size:            | 380mm |
| Package Quantity:        | 400   |

| General Information    |                                |
|------------------------|--------------------------------|
| Supplier:              | KEMET                          |
| Application:           | 105C Polymer                   |
| Part Type Description: | Surface Mount Polymer Aluminum |
| Lead Type:             | V-Chip                         |
| RoHS:                  | Yes                            |

| Specifications          |                          |
|-------------------------|--------------------------|
| Capacitance:            | 180 uF                   |
| Voltage:                | 25 VDC                   |
| Tolerance:              | +/-20%                   |
| Voltage:                | 28.7 VDC (Surge)         |
| Rated Temperature:      | 105C                     |
| Temperature Range:      | -55/+105C                |
| Life:                   | 2000 Hrs                 |
| Leakage Current:        | 900 uA                   |
| Leakage Condition:      | 2Min/20C                 |
| Impedance Ratio -25C:   | 1.25                     |
| Impedance Ratio -55C:   | 1.25                     |
| Resistance/ESR:         | 50 mOhms (100kHz 20C)    |
| Current/Ripple Current: | 3800 mAmps (100kHz 105C) |