

Adapters & Coupler T&B Catalog Number:

UPC Number:
Status:
Description:

F250TA
78621080365
Active

Non-Insulated Adapter, Length .82 Inches, Width .56 Inches, Tab Size .250x.032, Copper, Tin Plated

WEB_USE

US Cutsheet PDF Catalog Link <http://www-public.tnb.com/contractor/docs/stakon.pdf>

General

Style	250 Series Adapter
Insulation Type	Non-Insulated
Terminal Series	F
Material	Brass
Finish	Electro -Tin Plated
Color	Metallic
Tab Size	.250 x .032

Dimension Information

Stock Thickness	.03
A (inches)	.82
B (inches)	.56

Specifications

Temperature Rating	150°C
Voltage Rating	600V
Flammability Rating	UL 94 V-0

Tooling

Tool Charts	Available on Website
-------------	----------------------

Packaging

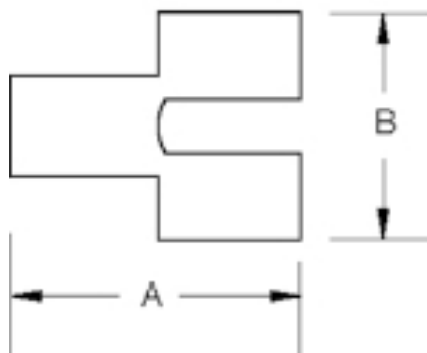
T&B Order Multiple	50
T&B Inner Pack	50
Package in Units	250
Package Type	Standard
T&B Sold in UOM	Each
T&B Weight Per UOM	5 lbs. per 1000
Alternate Package Qty	FTA250

Application Support

Overview	Available on Website
Wire Guide Tables	Available on Website

Certifications

RoHS Compliance	Yes
-----------------	-----



For further technical assistance, please contact us...

Thomas & Betts - USA
8155 T&B Blvd.
Memphis, TN 38125
www.tnb.com

T&B Technical Support
MS 3B-50
8155 T&B Blvd.
Memphis, TN 38125

Hours: 7AM - 6PM CDT
Monday-Friday
Phone: (888) 862-3289
Fax: (901) 252-1321
Email: techsupport@tnb.com