

**PLEASE CHECK WWW.MOLEX.COM FOR LATEST PART INFORMATION**

**Part Number:** **0525591033**  
**Status:** **Active**  
**Overview:** FFC-FPC (SMT)  
**Description:** Easy-On™ Type FFC/FPC Connector, Vertical, Surface Mount, ZIF, 10 Circuits, with Tape Packaging Center Placement Holes

**Documents:**

[3D Model](#) [Packaging Specification SPK-52559-003 \(PDF\)](#)  
[Drawing \(PDF\)](#) [RoHS Certificate of Compliance \(PDF\)](#)  
[Product Specification PS-52559-019 \(PDF\)](#)

**Agency Certification**

UL E29179

**General**

Product Family FFC/FPC Connectors  
Series 52559  
Overview FFC-FPC (SMT)  
Product Name Easy-On™  
UPC 887191290485

**Physical**

Circuits (Loaded) 10  
Color - Resin Natural  
Contact Position N/A  
Durability (mating cycles max) 20  
Entry Angle Vertical  
Flammability 94V-0  
Mated Height 3.90mm  
Material - Metal Phosphor Bronze  
Material - Plating Mating Silver, Tin-Bismuth  
Material - Plating Termination Silver, Tin-Bismuth  
Material - Resin Nylon  
Net Weight 173.612/mg  
Number of Rows 1  
Orientation Vertical  
PC Tail Length 2.00mm  
PCB Locator No  
PCB Retention Yes  
Packaging Type Embossed Tape on Reel  
Pitch - Mating Interface 0.50mm  
Pitch - Termination Interface 0.50mm  
Polarized to PCB No  
Stackable No  
Temperature Range - Operating -40°C to +85°C  
Termination Interface: Style Surface Mount  
Wire/Cable Type FFC/FPC

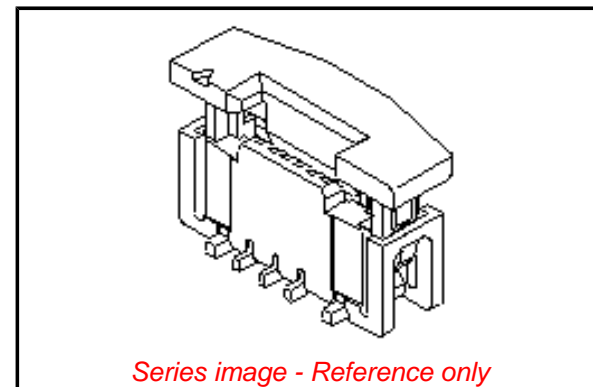
**Electrical**

Current - Maximum per Contact 0.5A  
Voltage - Maximum 50V

**Material Info**

**Reference - Drawing Numbers**

Packaging Specification SPK-52559-003  
Product Specification PS-52559-019, RPS--52559-093  
Sales Drawing SD-52559-057, SD-52559-058



Series image - Reference only

**EU ELV**

**Not Relevant**

**EU RoHS**

**Compliant**

**REACH SVHC**

Not Contained Per -  
ED/21/2016 (20 June  
2016)

**Halogen-Free**

**Status**

**Not Low-Halogen**

**Need more information on product environmental compliance?**

Email [productcompliance@molex.com](mailto:productcompliance@molex.com)  
Please visit the [Contact Us](#) section for any non-product compliance questions.

China ROHS

ELV

Green Image

Not Relevant

**Search Parts in this Series**

[52559 Series](#)

**Mates With**

[http://www.molex.com/product/premoflex\\_ffc-fpc.html](http://www.molex.com/product/premoflex_ffc-fpc.html)>Molex Premo-Flex FFC</a>. Be sure to match like plating

This document was generated on 08/02/2016

**PLEASE CHECK [WWW.MOLEX.COM](http://WWW.MOLEX.COM) FOR LATEST PART INFORMATION**