

M6 Cage Nut Set, in Black



Cage Nut Set (CageNut4bk, CageNut50bk)

Features

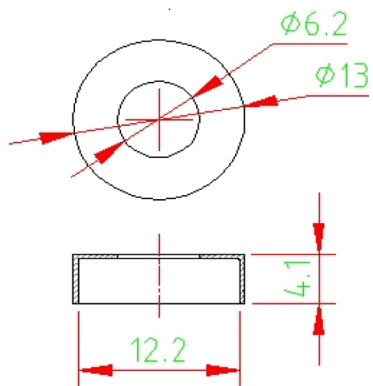
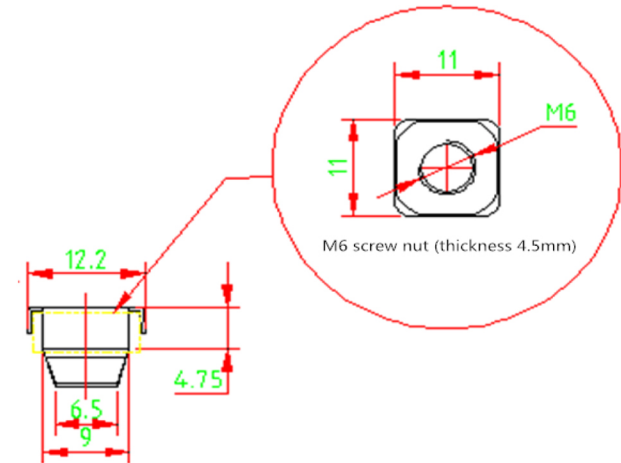
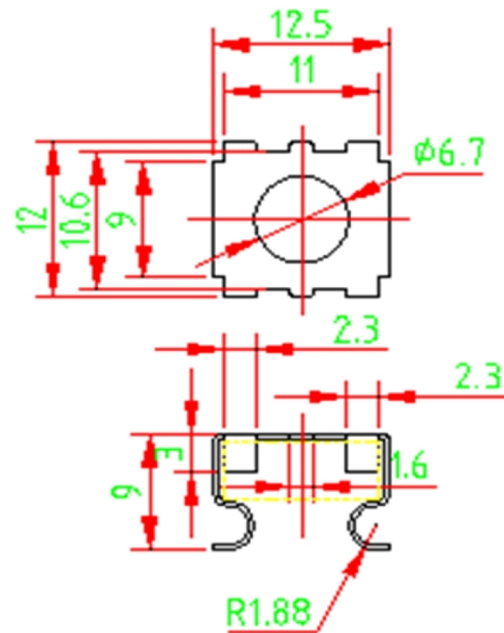
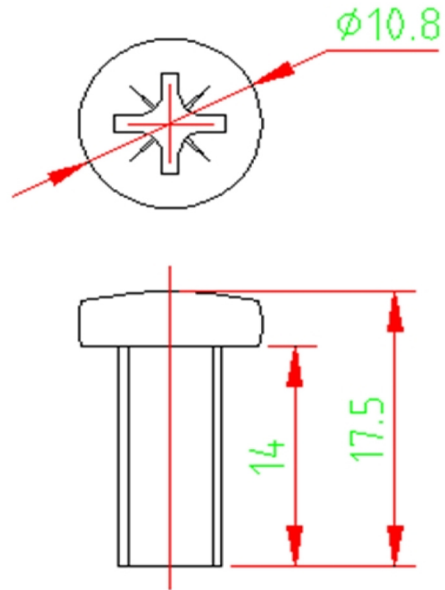
- Thread: M6
- “Pozidriv” type screw head
- Scratch resistant
- Offered in bags of 4 sets and 50 sets

Specifications

- Weight:
CageNut4bk: 36g approx.
CageNut50bk: 414g approx
- Colour: Black
- Materials:
Cage nut and screw: Steel with mid-temperature black oxide coating
Washer: ABS

ROHS Compliant

**Code: CageNut4bk
CageNut50bk**



Materials:
Cage nut and screw: Steel with mid-temperature black oxide coating
Washer: ABS