

PLEASE CHECK WWW.MOLEX.COM FOR LATEST PART INFORMATION

Part Number: [0554600372](#)
Status: **Active**
Description: 2.0 WtB Wafer Assy 3Ckt Embstp Pkg

Documents:

3D Model	Product Specification PS-52484-022 (PDF)
Drawing (PDF)	RoHS Certificate of Compliance (PDF)
Product Specification PS-51090-017 (PDF)	

Agency Certification

UL E29179

General

Product Family	PCB Headers
Series	55460
Application	Signal, Wire-to-Board
Product Name	Mi II™
UPC	822348188383

Physical

Breakaway	No
Circuits (Loaded)	3
Circuits (maximum)	3
Color - Resin	Natural
Durability (mating cycles max)	30
First Mate / Last Break	No
Flammability	94V-0
Glow-Wire Compliant	No
Guide to Mating Part	No
Keying to Mating Part	None
Lock to Mating Part	No
Material - Metal	Phosphor Bronze
Material - Plating Mating	Tin
Material - Plating Termination	Tin
Material - Resin	High Temperature Thermoplastic
Net Weight	334.000/mg
Number of Rows	1
Orientation	Vertical
PCB Locator	No
PCB Retention	Yes
Packaging Type	Embossed Tape on Reel
Pitch - Mating Interface	2.00mm
Shrouded	Fully
Stackable	No
Temperature Range - Operating	-40°C to +105°C
Termination Interface: Style	Surface Mount

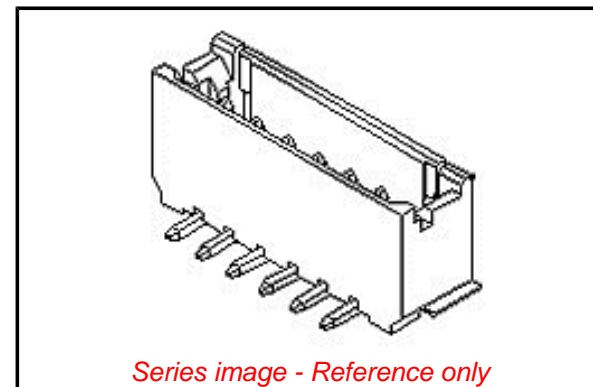
Electrical

Current - Maximum per Contact	1.5A
Voltage - Maximum	125V

Material Info

Reference - Drawing Numbers

Product Specification	PS-51090-017, PS-52484-022, RPS-51090-026
Sales Drawing	SD-55460-010, SD-55460-011



Series image - Reference only

EU ELV

Not Relevant

EU RoHS

Compliant

REACH SVHC

Not Contained Per
-ED/79/2015 (17
December 2015)

Halogen-Free

Status

Not Low-Halogen

Need more information on product environmental compliance?

Email productcompliance@molex.com
Please visit the [Contact Us](#) section for any non-product compliance questions.

China ROHS

ELV

China RoHS

Green Image

Not Relevant

Search Parts in this Series

[55460](#) Series

Mates With

[52484](#) IDT Receptacle Housing, [51090](#) Wire-to-Board Receptacle

This document was generated on 06/08/2016

PLEASE CHECK WWW.MOLEX.COM FOR LATEST PART INFORMATION