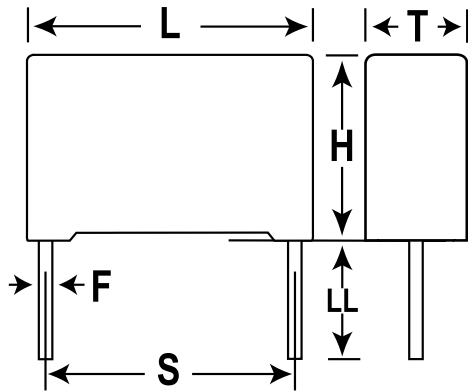


Capacitor, film, Metallized Polyester (Stacked), 0.47 uF, +/-5% Tol, -55/+105C, General Purpose, 250 VDC@85C, Lead Spacing=10 mm



General Information	
Supplier:	KEMET
Dielectric:	Metallized Polyester (Stacked)
Application:	General Purpose
Sub Application:	AEC-Q200
Style:	Radial Box
Lead Form:	Wire Leads
Features:	Pulse
RoHS:	Yes

Dimensions (mm)		
Symbol	Dimension	Tolerance
L	13	+0.2
H	12	+1
T	6	+0.2
S	10	+/-0.4
LL	25	+2/-1
F	0.6	+/-0.05

Specifications	
Capacitance:	0.47 uF
Voltage:	250 VDC
Tolerance:	+/-5%
Voltage AC:	160 VAC
Rated Temperature:	85C
Temperature Range:	-55/+105C
Dissipation Factor @ 1 kHz:	1%
Insulation Resistance:	10 GOhm
Maximum dVdT:	150 v/us
Miscellaneous:	Upper Operating Temperature Of 125C Is Allowed For A Maximum Operating Time Of 1,000 Hours. Above 85C, DC And AC Voltage Derating Is 1.25%/C.

Packaging Specifications	
Package Kind:	Bulk
Package Quantity:	1200