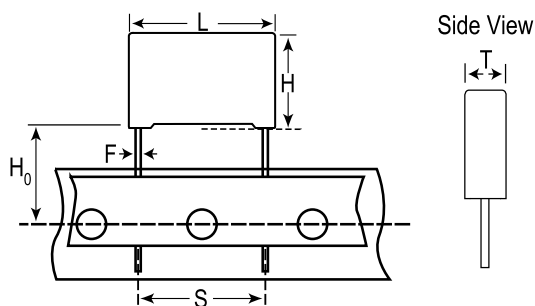


Capacitor, film, Metallized Polyester (Stacked), 0.047 uF, +/-10% Tol, -55/+105C, General Purpose, 250 VDC@85C, Lead Spacing=5 mm



General Information	
Supplier:	KEMET
Dielectric:	Metallized Polyester (Stacked)
Application:	General Purpose
Sub Application:	AEC-Q200
Style:	Radial Box
Lead Form:	Wire Leads
Features:	Pulse
RoHS:	Yes

Dimensions (mm)		
Symbol	Dimension	Tolerance
L	7.2	+0.3
H	9.5	+0.1
T	4.5	+0.1
S	5	+/-0.4
F	0.5	+/-0.05
H0	18	+/-0.5

Packaging Specifications	
Package Kind:	Ammo
Package Size:	360x340x59mm
Package Quantity:	1900

Specifications	
Capacitance:	0.047 uF
Voltage:	250 VDC
Tolerance:	+/-10%
Voltage AC:	160 VAC
Rated Temperature:	85C
Temperature Range:	-55/+105C
Dissipation Factor @ 1 kHz:	0.8%
Dissipation Factor @ 10 kHz:	1.2%
Dissipation Factor @ 100kHz:	2.5%
Insulation Resistance:	30 GOhm
Inductance:	7
Maximum dVdT:	250 v/us
Miscellaneous:	Above 85C DC And AC Voltage Derating Is 1.25%/C