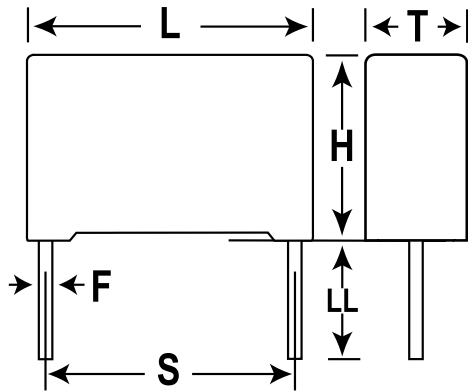


KEMET Part Number: PHE840MB6470MB16R17
(F840BY474M275A)

Capacitor, film, Metallized Polypropylene, 0.47 uF, +/-20% Tol, -55/+105C, Safety: X2, 275 VAC, Lead Spacing=15 mm, Not For New Design, Please Check Possible Alternative Parts (AltPart)



Dimensions (mm)		
Symbol	Dimension	Tolerance
L	18	MAX
H	19	MAX
T	11	MAX
S	15	+/-0.4
LL	17	NOM
F	0.8	NOM

Packaging Specifications	
Package Kind:	Bulk
Package Quantity:	250

General Information	
Supplier:	KEMET
Dielectric:	Metallized Polypropylene
Application:	Safety: X2
Style:	Radial Box
Lead Form:	Wire Leads
Features:	Pulse
Approvals:	ENEC,UL,cUL
RoHS:	Yes

Specifications	
Capacitance:	0.47 uF
Voltage:	760 VDC
Tolerance:	+/-20%
Voltage AC:	275 VAC
Rated Temperature:	105C
Temperature Range:	-55/+105C
Dissipation Factor @ 1 kHz:	0.1%
Dissipation Factor @ 10 kHz:	0.4%
Insulation Resistance:	21.28 GOhm
Maximum dVdT:	100 v/us
Miscellaneous:	Not For New Design, Please Check Possible Alternative Parts (AltPart)