

**PLEASE CHECK WWW.MOLEX.COM FOR LATEST PART INFORMATION**

**Part Number:** [5023860570](#)  
**Status:** **Active**  
**Overview:** [CLIK-Mate™ Wire-to-Board Connectors](#)  
**Description:** 1.25mm Pitch CLIK-Mate™ Wire-to-Board PCB Receptacle, Single Row, Right Angle, Tin Plating, 5 Circuits

**Documents:**

<a href="#">3D Model</a>	<a href="#">Application Specification AS-502380-002 (PDF)</a>
<a href="#">Drawing (PDF)</a>	<a href="#">Packaging Specification SPK-502386-001 (PDF)</a>
<a href="#">Product Specification PS-502382-001 (PDF)</a>	<a href="#">RoHS Certificate of Compliance (PDF)</a>

**Agency Certification**

UL E29179

**General**

Product Family	PCB Receptacles
Series	502386
Application	Signal, Wire-to-Board
MolexKits	Yes
Overview	<a href="#">CLIK-Mate™ Wire-to-Board Connectors</a>
Product Name	CLIK-Mate™
UPC	822350895705

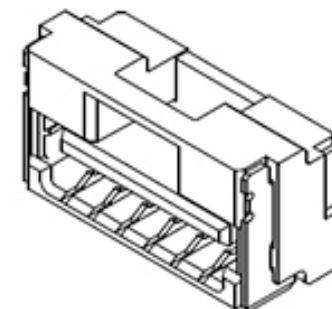
**Physical**

Circuits (Loaded)	5
Circuits (maximum)	5
Color - Resin	Natural
Durability (mating cycles max)	30
Glow-Wire Compliant	No
Guide to Mating Part	Yes
Keying to Mating Part	Yes
Lock to Mating Part	Yes
Mated Height	5.55mm
Material - Metal	Copper Alloy
Material - Plating Mating	Tin
Material - Plating Termination	Tin
Material - Resin	High Temperature Thermoplastic
Net Weight	271.601/mg
Number of Rows	1
Orientation	Right Angle
PCB Locator	No
PCB Retention	Yes
Packaging Type	Embossed Tape on Reel
Pitch - Mating Interface	1.25mm
Pitch - Termination Interface	1.25mm
Plating min - Mating	1.016µm
Plating min - Termination	1.016µm
Polarized to Mating Part	Yes
Polarized to PCB	No
Stackable	No
Temperature Range - Operating	-40°C to +105°C
Termination Interface: Style	Surface Mount

**Electrical**

Current - Maximum per Contact	1.0A
Voltage - Maximum	50V AC (RMS)/DC

**Material Info**



Series image - Reference only

**EU ELV**

**Not Relevant**

**EU RoHS**

**Compliant**

**REACH SVHC**

Not Contained Per  
-ED/79/2015 (17  
December 2015)

**Halogen-Free**

**Status**

**Not Low-Halogen**

**Need more information on product environmental compliance?**

Email [productcompliance@molex.com](mailto:productcompliance@molex.com)  
Please visit the [Contact Us](#) section for any non-product compliance questions.

China ROHS

ELV

**China RoHS**

Green Image

Not Relevant

**Search Parts in this Series**

[502386 Series](#)

**Mates With**

[502380 CLIK-Mate™ Housing](#)

**Reference - Drawing Numbers**

Application Specification

Packaging Specification

Product Specification

AS-502380-002

SPK-502386-001

PS-502382-001, RPS-502382-003, RPS-502382-005,  
RPS-502382-006, RPS-502382-008, RPS-502382-011,  
RPS-502382-012, RPS-502382-013, RPS-502382-016,  
RPS-502382-017, RPS-502382-018, RPS-502382-019,  
RPS-502386-002

Sales Drawing

SD-502386-001, SD-502386-003, SD-502386-006

This document was generated on 03/30/2016

**PLEASE CHECK [WWW.MOLEX.COM](http://WWW.MOLEX.COM) FOR LATEST PART INFORMATION**