

PLEASE CHECK WWW.MOLEX.COM FOR LATEST PART INFORMATION

Part Number: [0908160016](#)
Status: **Active**
Overview: Picoflex® Ribbon-Cable Connectors
Description: Picoflex® Surface Mount Latched Vertical Header with PCB Pegs, 16 Circuits, Tin (Sn) Plating, Black

Documents:

3D Model	Packaging Specification PK-90816-001 (PDF)
Drawing (PDF)	Test Summary TS-90816-001 (PDF)
Product Specification PS-99020-0011 (PDF)	RoHS Certificate of Compliance (PDF)

General

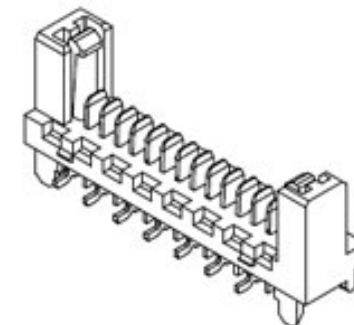
Product Family	PCB Headers
Series	90816
Application	Signal, Wire-to-Board
Overview	Picoflex® Ribbon-Cable Connectors
Product Name	Picoflex®
UPC	883906498863

Physical

Breakaway	No
Circuits (Loaded)	16
Circuits (maximum)	16
Color - Resin	Black
Durability (mating cycles max)	5
First Mate / Last Break	No
Glow-Wire Compliant	No
Guide to Mating Part	No
Keying to Mating Part	N/A
Lock to Mating Part	Yes
Material - Metal	Brass
Material - Plating Mating	Tin
Material - Plating Termination	Nickel
Material - Resin	Nylon
Net Weight	0.784/g
Number of Rows	1
Orientation	Vertical
PC Tail Length	1.05mm
PCB Locator	Yes
PCB Retention	None
PCB Thickness - Recommended	1.60mm
Packaging Type	Tube
Pitch - Mating Interface	1.27mm
Pitch - Termination Interface	1.27mm
Plating min - Mating	0.076µm
Polarized to Mating Part	Yes
Polarized to PCB	Yes
Shrouded	Partial
Stackable	No
Surface Mount Compatible (SMC)	Yes
Temperature Range - Operating	-40°C to +105°C
Termination Interface: Style	Surface Mount

Electrical

Current - Maximum per Contact	1.2A
Voltage - Maximum	250V



Series image - Reference only

EU ELV

Not Relevant

EU RoHS

Compliant

REACH SVHC

Not Contained Per
-ED/79/2015 (17
December 2015)

Halogen-Free

Status

Low-Halogen

Need more information on product environmental compliance?

Email productcompliance@molex.com
Please visit the [Contact Us](#) section for any non-product compliance questions.

China ROHS
ELV

Green Image
Not Relevant

Search Parts in this Series

[90816 Series](#)

Mates With

[90327 Picoflex® PF-50](#)

Material Info

Reference - Drawing Numbers

Packaging Specification	PK-90816-001
Product Specification	PS-99020-0011
Sales Drawing	SD-90816-001
Test Summary	TS-90816-001

This document was generated on 03/09/2016

PLEASE CHECK WWW.MOLEX.COM FOR LATEST PART INFORMATION