

**PLEASE CHECK WWW.MOLEX.COM FOR LATEST PART INFORMATION**

**Part Number:** [0521170241](#)  
**Status:** **Active**  
**Overview:** [Mizu-P25™ Miniature Waterproof Connectors](#)  
**Description:** [Mizu-P25™ 2.50mm Pitch Waterproof Wire-to-Wire Receptacle Housing, 2 Circuits](#)

**Documents:**

[3D Model](#) [RoHS Certificate of Compliance \(PDF\)](#)  
[Drawing \(PDF\)](#)

**Agency Certification**

UL E29179

**General**

Product Family Crimp Housings  
 Series [52117](#)  
 Application Signal, Wire-to-Wire  
 Application Tooling Part Link [57131-6000](#)  
 Application Tooling Part Link [62202-4400](#)  
 Overview [Mizu-P25™ Miniature Waterproof Connectors](#)  
 Product Name Mizu-P25™ Waterproof, Splash Proof  
 UPC 800754368636

**Physical**

Circuits (maximum) 2  
 Color - Resin Black  
 Gender Receptacle  
 Glow-Wire Compliant No  
 Lock to Mating Part Yes  
 Material - Resin Polyester  
 Net Weight 824.900/mg  
 Number of Rows 1  
 Packaging Type Tray  
 Panel Mount No  
 Pitch - Mating Interface 5.00mm  
 Stackable No  
 Temperature Range - Operating -40°C to +105°C

**Electrical**

Current - Maximum per Contact 3.0A

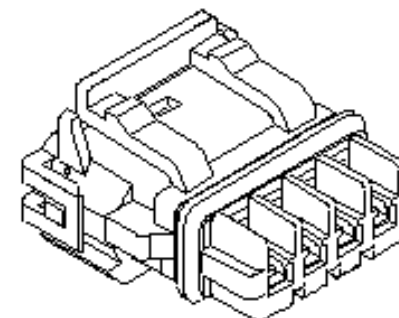
**Solder Process Data**

Lead-free Process Capability N/A

**Material Info**

**Reference - Drawing Numbers**

Sales Drawing SD-52117-001



*Series image - Reference only*

**EU ELV**

**Compliant**

**EU RoHS**

**Compliant**

**REACH SVHC**

Not Contained Per -  
 ED/21/2016 (20 June  
 2016)

**Halogen-Free**

**Status**

**Not Low-Halogen**

**Need more information on product environmental compliance?**

Email [productcompliance@molex.com](mailto:productcompliance@molex.com)  
 Please visit the [Contact Us](#) section for any non-product compliance questions.

China ROHS

ELV

Green Image

Compliant

**Search Parts in this Series**

[52117 Series](#)

**Mates With**

[52116 Mizu-P25™ 2.50mm Pitch Waterproof Wire-to-Wire Plug Housing](#)

**Use With**

[50039 Mizu-P25™ Crimp Terminal](#)

**Application Tooling | FAQ**

*Tooling specifications and manuals are found by selecting the products below. Crimp Height Specifications are then contained in the Application Tooling Specification document.*

**Global**

**Description**

**Product #**

Sealing Cap Hand Tool [0622024400](#)

**Japan**

Description	Product #
Sealing Cap	0571316000
Attachment Tool	

This document was generated on 07/12/2016

**PLEASE CHECK [WWW.MOLEX.COM](http://WWW.MOLEX.COM) FOR LATEST PART INFORMATION**