



## Features

- 1.27 mm pitch
- Precious metal contacts
- Twin hot contacts (symmetrical pad layout)
- Pick & place compatible
- High cycle life
- RoHS compliant\* - see [processing information](#) on RoHS compliant modular contacts
- Halogen free\*\*

## 70AB/Male - Modular Contact

### Materials & Finishes

Insulator..... Glass reinforced thermoplastic,  
UL 94V-0 rated, black  
Contact..... Copper alloy  
Finish  
Underplating..... 30 μ" min. Ni  
Contact Area..... 30 μ" min. Au over Ni

### Operating Characteristics

Electrical  
Current Rating..... 3 A/contact  
Voltage Rating..... 60 V  
Contact Resistance..... 25 milliohms max.  
Dielectric Voltage..... AC 500 V  
Insulating Resistance.. 1000 Mohms min.  
Operating Temperature  
..... -55 °C to +125 °C

Mechanical  
Normal Force/Finger..... 40 grams min.  
Durability..... 5,000 cycles min.

### How to Order

**70AB J - 4 - M 0 E**

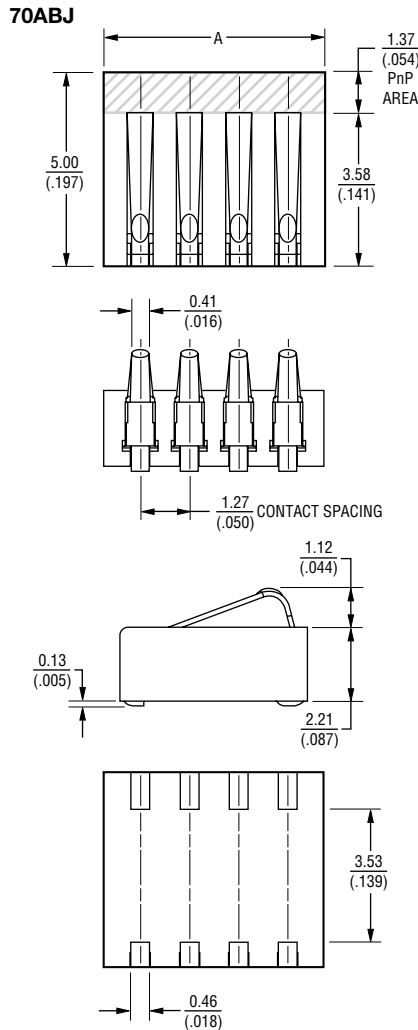
Model \_\_\_\_\_  
Terminal Style \_\_\_\_\_  
Number of Contacts (N) \_\_\_\_\_  
2, 3 or 4  
Gender \_\_\_\_\_  
M = Male  
Options \_\_\_\_\_  
0 = Standard  
Packaging Option \_\_\_\_\_  
E = Embossed Tape:  

- 2, 3 Contacts = 500 pcs. per reel - MSL-1
- 4 Contacts = 1000 pcs. per reel - MSL-1

\* RoHS Directive 2002/95/EC Jan. 27, 2003 including annex and RoHS Recast 2011/65/EU June 8, 2011.  
\*\* Bourns considers a product to be "halogen free" if (a) the Bromine (Br) content is 900 ppm or less; (b) the Chlorine (Cl) content is 900 ppm or less; and (c) the total Bromine (Br) and Chlorine (Cl) content is 1500 ppm or less.

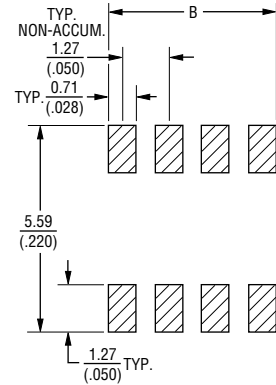
Specifications are subject to change without notice.  
The device characteristics and parameters in this data sheet can and do vary in different applications and actual device performance may vary over time.  
Users should verify actual device performance in their specific applications.

### Product Dimensions



Number of Contacts	Dimension A
2	$\frac{3.12}{(.123)}$
3	$\frac{4.39}{(.173)}$
4	$\frac{5.66}{(.223)}$

### Recommended PWB Layout



Number of Contacts	Dimension B
2	$\frac{1.98}{(.078)}$
3	$\frac{3.25}{(.128)}$
4	$\frac{4.52}{(.178)}$

TOLERANCES:  $\frac{\pm 0.25}{(\pm .010)}$  UNLESS OTHERWISE NOTED  
 DIMENSIONS:  $\frac{MM}{(INCHES)}$

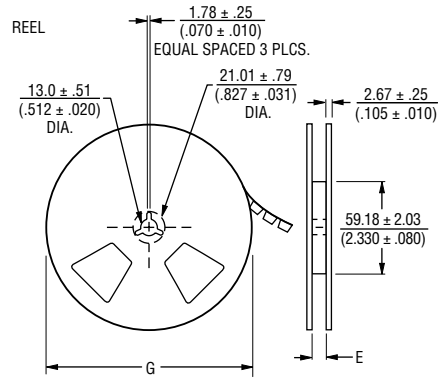
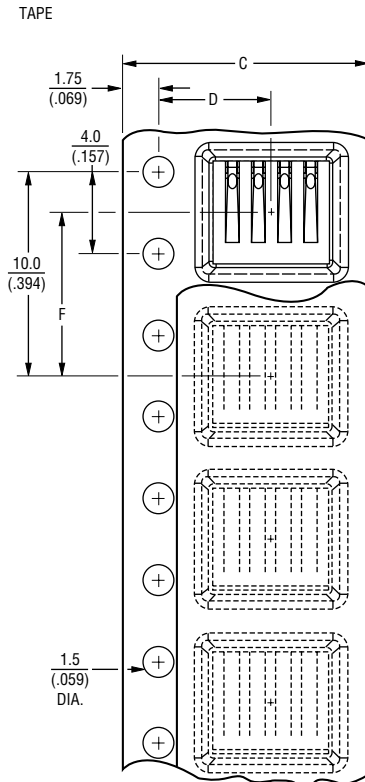
## Applications

- Handheld communications - mobile phones, pagers, cordless phones, GPS, PICs, radios
- Portable consumer equipment - PDAs, HPCs, notebook PCs, cameras, dictaphones, PICs, games

## 70AB/Male - Modular Contact

**BOURNS®**

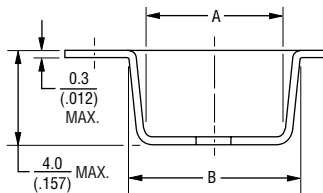
### Packaging Specifications



No. of Contacts	Dim. A	Dim. B	Dim. C	Dim. D	Dim. E	Dim. F	Dim. G
2	3.49 (.137)	4.94 (.194)	12.0 (.472)	5.5 (.217)	12.4 (.488)	8.0 (.315)	178 ± 2.0 (7.008 ± .079)
3	4.77 (.188)	6.22 (.245)	12.0 (.472)	5.5 (.217)	12.4 (.488)	8.0 (.315)	178 ± 2.0 (7.008 ± .079)
4	6.04 (.238)	7.50 (.295)	16.0 (.630)	7.5 (.295)	16.0 (.630)	12.0 (.472)	330.2 ± 2.0 (13.0 ± .079)

TOLERANCES: .XX =  $\frac{\pm 0.5}{(\pm .020)}$  UNLESS OTHERWISE NOTED  
 .XXX =  $\frac{\pm 0.127}{(\pm .005)}$  UNLESS OTHERWISE NOTED

DIMENSIONS:  $\frac{\text{MM}}{\text{(INCHES)}}$



**BOURNS®**

Asia-Pacific: Tel: +886-2 2562-4117 • Email: [asiacus@bourns.com](mailto:asiacus@bourns.com)

EMEA: Tel: +36 88 520 390 • Email: [eurocus@bourns.com](mailto:eurocus@bourns.com)

The Americas: Tel: +1-951 781-5500 • Email: [americus@bourns.com](mailto:americus@bourns.com)

[www.bourns.com](http://www.bourns.com)

REV. 07/16

Specifications are subject to change without notice.  
 The device characteristics and parameters in this data sheet can and do vary in different applications and actual device performance may vary over time.  
 Users should verify actual device performance in their specific applications.