



Main

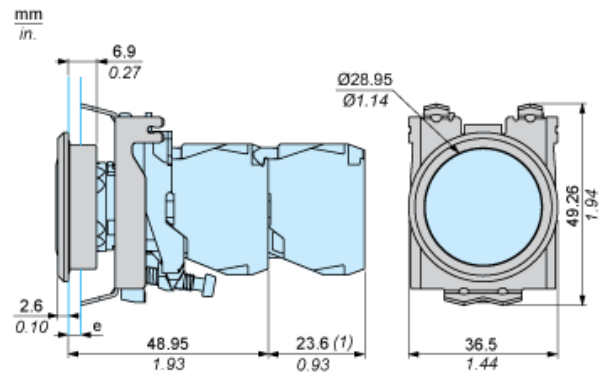
Range of product	Harmony XB4
Product or component type	Flush mounting kit
Accessory / separate part category	Mounting and fixing accessory
Accessory / separate part destination	Pilot light Push-button

Complementary

Product compatibility	ZB4BL ZB4BV ZB4BA flush ZB4BH flush
Surface finish	Chromium plated
IP degree of protection	IP66 front face IEC 60529 IP69 front face IEC 60529 IP69K front face DIN 40050-9
IK degree of protection	IK06 IEC 50102
Mounting diameter	30.5 mm
Quantity per set	Set of 1
Product weight	0.019 kg

The information provided in this documentation contains general descriptions and/or technical characteristics of the performance of the products contained herein. This documentation is not intended as a substitute for and is not to be used for determining suitability or reliability of these products for specific user applications. It is the duty of any such user or integrator to perform the appropriate and complete risk analysis, evaluation and testing of the products with respect to the relevant specific application or use thereof. Neither Schneider Electric Industries SAS nor any of its affiliates or subsidiaries shall be responsible or liable for misuse of the information contained herein.

Dimensions with Flush Mounting Kit



- e : Clamping thickness : 1.2 to 2.8 mm / 0.05 to 0.11 in.
(1) Additional row of contacts or double contact

Panel Cut-Out and Mounting

