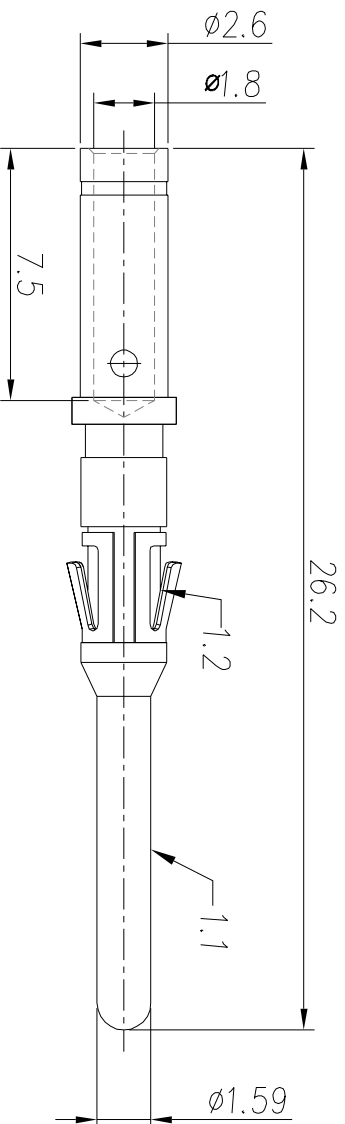


REVISIONS				
REV	ECO	DESCRIPTION	DATE	BY APPR
B1	-	RELEASED DRAWING	JAN-18-2014	ARROW TOMMY



- NOTES : (UNLESS OTHERWISE SPECIFIED)
- MATERIAL :
 - CONTACT BODY : COPPER ALLOY.
 - POSITIONING CLIP : COPPER ALLOY.
 - SPECIFICATIONS :
 - CURRENT RATING : 13A(MAX).
 - TERMINATION TYPE : CRIMPING.
 - WIRE RANGE : 16-18AWG.
 - SUITABLE SOCKET TYPE : MS16M23xx.
 - ROHS COMPLIANT.
 - ALL DIMENSIONS ARE FOR REFERENCE USE ONLY.

P/N	CONTACT PLATING(MATING AREA)
MP16M23T	TIN PLATING OVER NICKEL.
MP16M23S	SILVER PLATING OVER NICKEL.
MP16M23F	GOLD FLASH PLATING OVER NICKEL.
MP16M23G10	10µ" GOLD PLATING OVER NICKEL.
MP16M23G15	15µ" GOLD PLATING OVER NICKEL.
MP16M23G30	30µ" GOLD PLATING OVER NICKEL.

QUANTITY	PART NUMBER	DESCRIPTION	ITEM
MATERIALS LIST			

UNLESS OTHERWISE SPECIFIED 1) ALL DIMENSIONS ARE IN MILLIMETERS. 2) TOLERANCES ARE AS SHOWN: 1 PL, DEC 20-30 2 PL, DEC 30-45 3 PL, DEC 45-60	SIGNATURES DRAWN: ARW CHECKED: JWH/TZH ENGINEER: APPROVAL:	DATE JAN-17-2014
3) Note reference =	CUSTOMER: ECO-MATE, PIN CONTACT MACHINE, 16-18AWG, SIZE 16	SIZE TYPE B C-
PROCESS SPECIFICATIONS: NEXT ASST:	THIS DRAWING IS SUPPLIED FOR THE EXCLUSIVE USE OF THE CUSTOMER. THE DRAWING IS NOT TO BE REPRODUCED OR TRANSMITTED IN ANY FORM OR BY ANY MEANS, ELECTRONIC OR MECHANICAL, INCLUDING PHOTOCOPYING, RECORDING, OR BY ANY INFORMATION STORAGE AND RETRIEVAL SYSTEM, WITHOUT THE WRITTEN PERMISSION OF AMPHENOL. ALL RIGHTS ARE RESERVED.	SCALE NONE
MATERIAL SPECIFICATIONS:		REVISION B1

Amphenol

Sine Systems - www.amphenol-sine.com
44724 Morley Drive
Clinton Township, MI 48038

ECO-MATE, PIN CONTACT
MACHINE, 16-18AWG, SIZE 16

SIZE TYPE: B C-
DRAWING: MP16M23xx
SHEET 1 OF 1