

Spring Loaded Contact Connectors

Single Spring Loaded Contacts – Surface Mount

- ❖ Also referred to as Pogo pins, used for individual contacts or irregular layout requirements.
- ❖ Available in Tape and Reeled packaging format for automated assembly methods.
- ❖ Gold finish for improved wear resistance.
- ❖ Additional height options shown on following page.



❖ Packaging

Reel quantity

P70-5000045R: 2,000 on a Ø330mm reel

❖ Electrical

Current

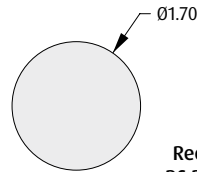
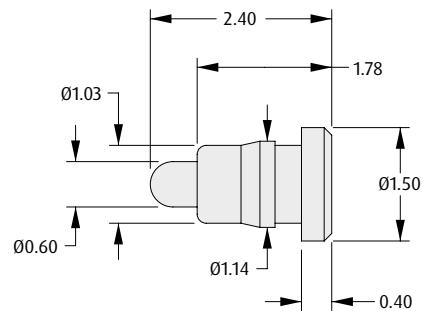
P70-5000045x: 1A
 P70-7000045: 2A
 P70-5100045: 2A

❖ Mechanical

Spring force at working height

P70-5000045x: 0.68N ±0.19N at 1.90mm working height
 P70-7000045: 0.68N ±0.19N at 2.00mm working height
 P70-5100045: 0.98N ±0.29N at 4.00mm working height

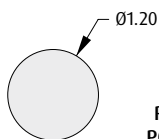
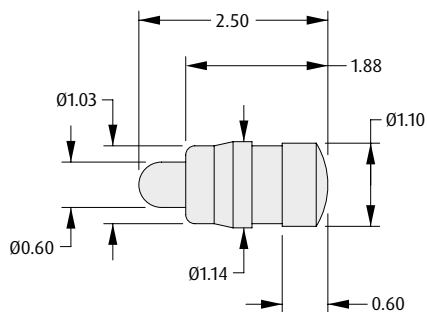
2.4mm FREE HEIGHT



Recommended PC Board Pattern

ORDER CODE	PACKAGING
P70-5000045R	Tape & Reel

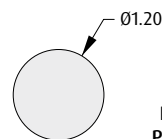
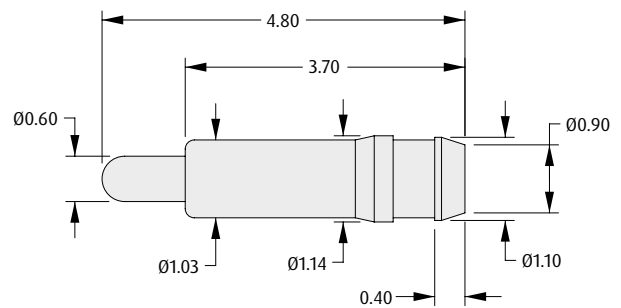
2.5mm FREE HEIGHT



Recommended PC Board Pattern

ORDER CODE	PACKAGING
P70-7000045	Loose

4.8mm FREE HEIGHT



Recommended PC Board Pattern

ORDER CODE	PACKAGING
P70-5100045	Loose

All dimensions in mm.