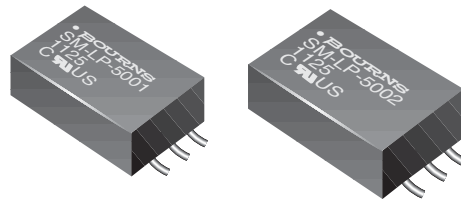


# Product Change Notification

## TRANSFORMERS



January, 2016

### **Bourns® Model SM-LP-5001 and SM-LP-5002 Series Surface Mount Line Matching Transformers *Change to Carrier Tape Specifications***

Bourns has decided to change the carrier tape specifications for the Model [SM-LP-5001](#) and [SM-LP-5002](#) Series Surface Mount Line Matching Transformers. The carrier tape has been redesigned to help limit lateral movement of the component to within 1 mm in compliance with the EIA-481-D Standard. The form, fit and function of the transformer will remain the same. Specifications of the carrier tape are provided on the following page.

<b>Affected Part Numbers</b>
SM-LP-5001E
SM-LP-5001MEL
SM-LP5002E
SM-LP5002E-40

Implementation dates are as follows:

*Date that manufacturing of existing packaging will cease: **July 2, 2016***

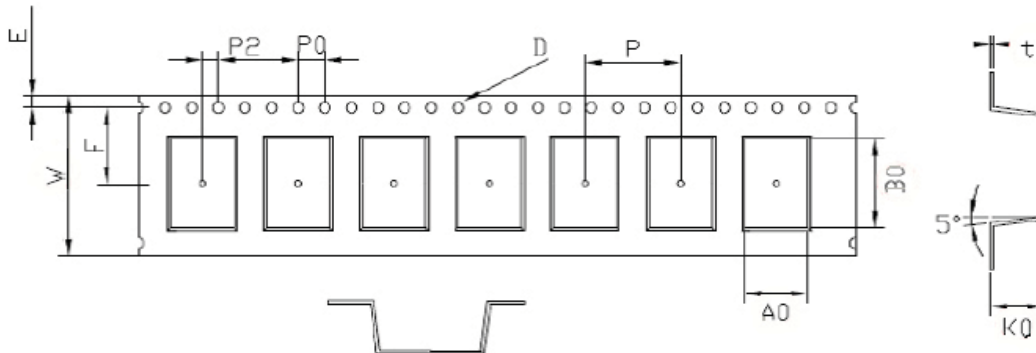
*Date that deliveries of modified packaging will begin: **July 3, 2016***

*First date code using the new packaging: **1628***

If you have any questions or need additional information, please feel free to contact [Customer Service/Inside Sales](#).

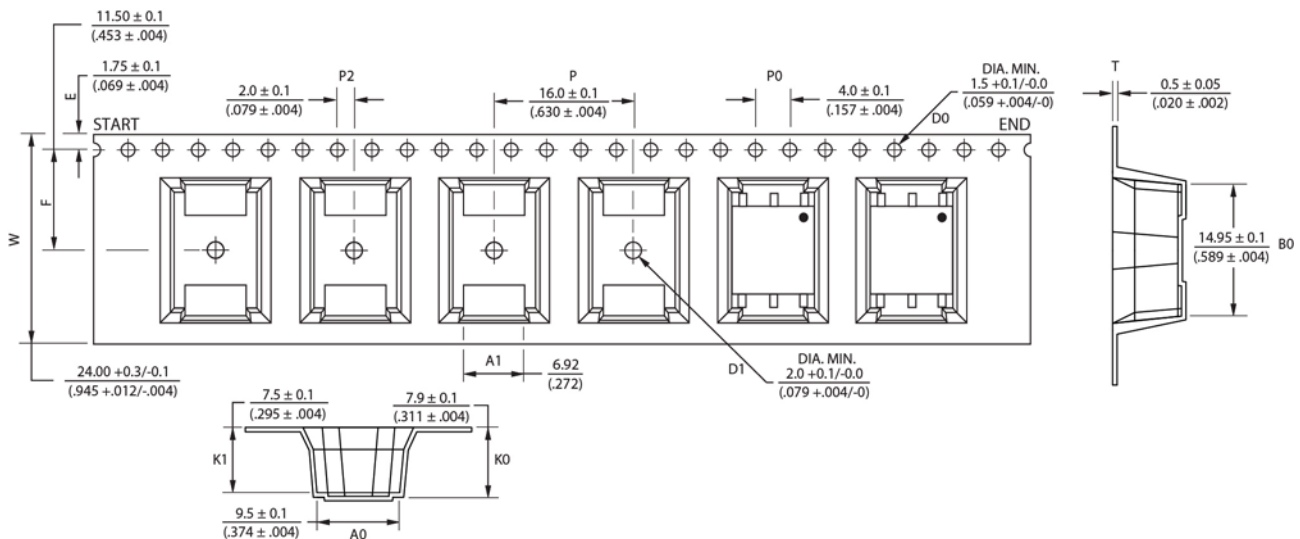
## Change to Carrier Tape Specifications

### Existing Tape Carrier Dimensions



ITEM	W	A0	B0	K0	P	F	E	D	D1	P0	P2	T
DIM	24.00 <sup>+0.30</sup> / <sub>-0.30</sub>	10.50 <sup>+0.10</sup> / <sub>-0.10</sub>	14.30 <sup>+0.10</sup> / <sub>-0.10</sub>	7.70 <sup>+0.10</sup> / <sub>-0.10</sub>	16.00 <sup>+0.10</sup> / <sub>-0.10</sub>	11.50 <sup>+0.10</sup> / <sub>-0.10</sub>	1.75 <sup>+0.10</sup> / <sub>-0.10</sub>	1.50 <sup>+0.10</sup> / <sub>-0.00</sub>	1.50 <sup>+0.10</sup> / <sub>-0.00</sub>	4.00 <sup>+0.10</sup> / <sub>-0.10</sub>	2.00 <sup>+0.10</sup> / <sub>-0.10</sub>	0.40 <sup>+0.05</sup> / <sub>-0.05</sub>

### Modified Tape Carrier Dimensions



ITEM	W	A0	B0	K0	P	F	E	D0	D1	P0	P2	T	A1	K1
DIM	24.00 <sup>+0.30</sup> / <sub>-0.10</sub>	9.50 <sup>+0.10</sup> / <sub>-0.10</sub>	14.95 <sup>+0.10</sup> / <sub>-0.10</sub>	7.90 <sup>+0.10</sup> / <sub>-0.10</sub>	16.00 <sup>+0.10</sup> / <sub>-0.10</sub>	11.50 <sup>+0.10</sup> / <sub>-0.10</sub>	1.75 <sup>+0.10</sup> / <sub>-0.10</sub>	1.50 <sup>+0.10</sup> / <sub>-0.00</sub>	2.00 <sup>+0.10</sup> / <sub>-0.00</sub>	4.00 <sup>+0.10</sup> / <sub>-0.10</sub>	2.00 <sup>+0.10</sup> / <sub>-0.10</sub>	0.50 <sup>+0.05</sup> / <sub>-0.05</sub>	6.92 <sup>+0.10</sup> / <sub>-0.10</sub>	7.50 <sup>+0.10</sup> / <sub>-0.10</sub>