

MATERIALS

SHELL PA GF REINFORCED, BLACK COLOR
 COUPLING LATCH STAINLESS STEEL
 O'RING LUBRICATED RED SILICON

PERFORMANCES CHARACTERISTICS

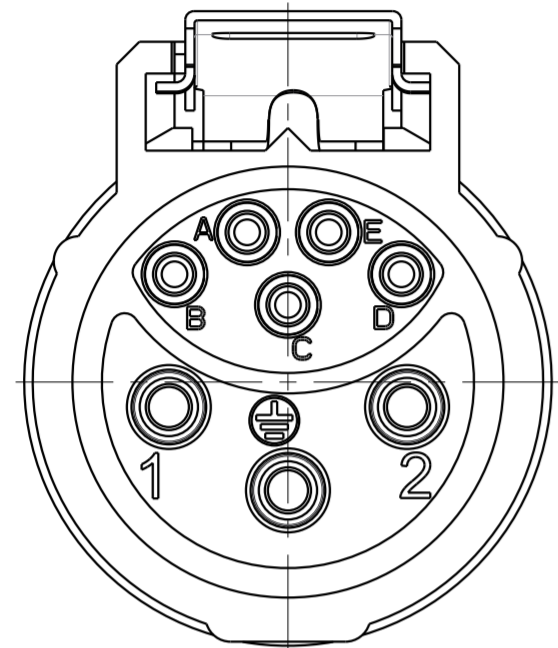
MECHANICAL		IEC61984/UL1977	-40°C TO 105°C
TEMPERATURE CLASS		IEC61984	500 MATE / UNMATE CYCLES
DURABILITY		IEC60529	IP68 1BAR DURING 1WEEK
SEALING IN MATED CONDITIONS		DIN40050	IP69K
SEALING IN UNMATED CONDITIONS		IEC60529	IP67 WITH CAPS
POLLUTION DEGREE		IEC61984	4
CORROSION SALT SPRAY			MIN 1000H
FLAMMABILITY	UL94		MATERIAL RATING: 5VA
OUTDOOR SUITABILITY (UV RESIST)	UL746C		MATERIAL RATING: (f1)
SCOOP PROOF			
ELECTRICAL			
TOUCH PROOF	IEC60529		IP2X
POWER AND GROUND LINES:			
NOMINAL CURRENT	UL1977		16A WITH AWG14 WIRE / 13A WITH AWG16 WIRE
NOMINAL CURRENT	IEC61984		16A WITH 2.5MM² WIRE / 13A WITH 1.5MM² WIRE AT 60°C
NOMINAL VOLTAGE			
NOMINAL VOLTAGE	UL1977		600V
NOMINAL VOLTAGE	IEC61984		250VAC 4KV 4 FOR CLASS II
NOMINAL VOLTAGE	IEC61984		500VAC 6KV 4 FOR CLASS I
SIGNAL CONTACT (a,b,c,d,e) LINES:			
NOMINAL VOLTAGE	IEC61984		48V AC
NOMINAL CURRENT	IEC61984		5A

ROHS COMPLIANT

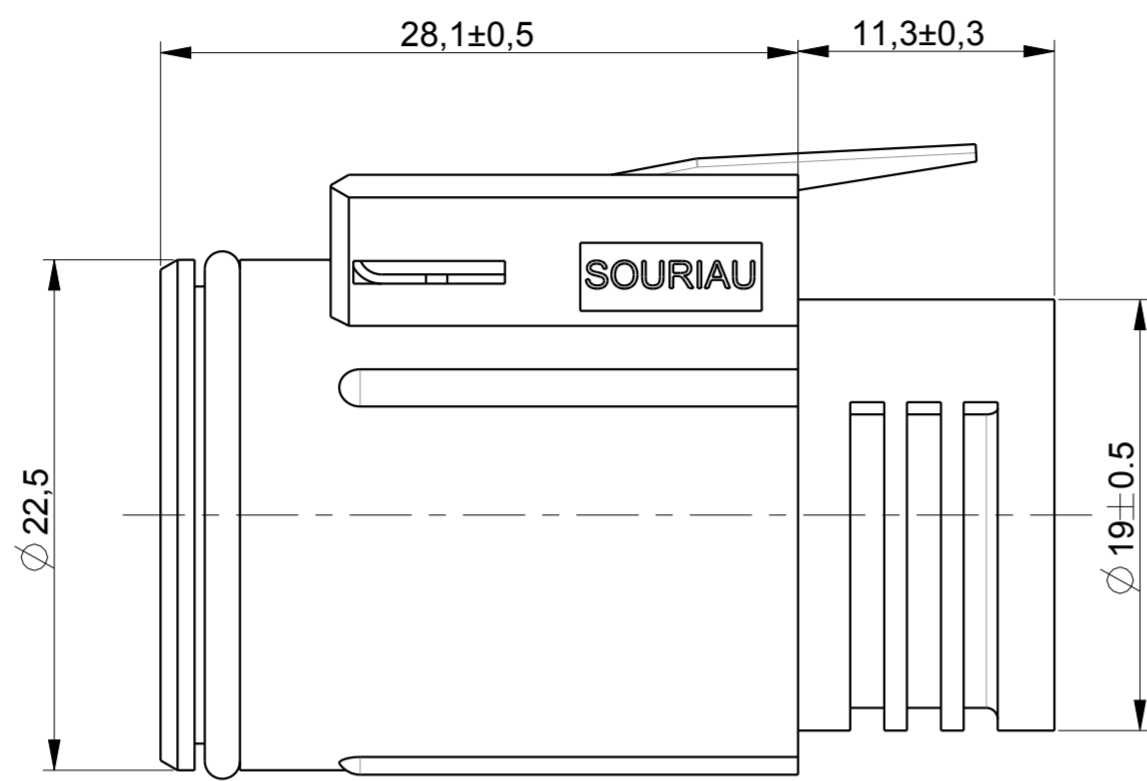
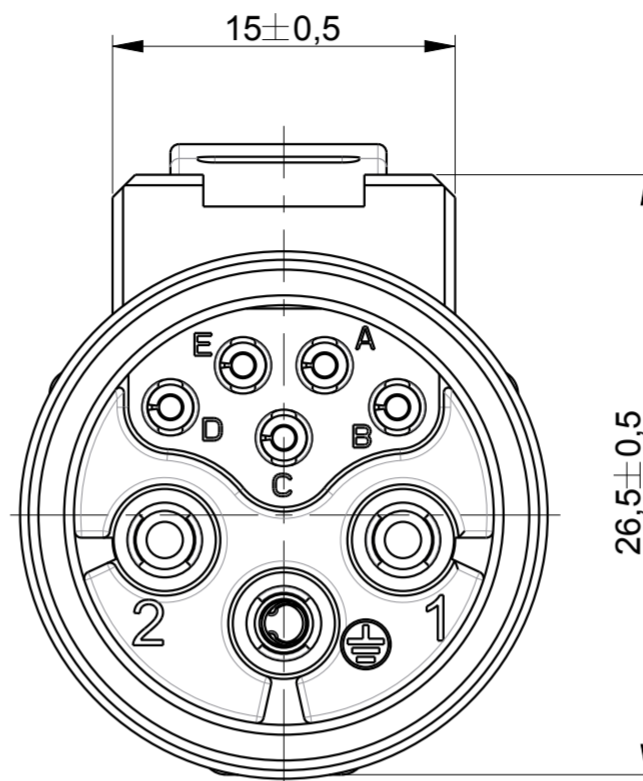
NOTES

- COUNTERPART REFERENCE UTL RECEPTACLE OR FREE HANGING
- CONNECTORS ARE DELIVERED AS PRE-ASSEMBLED KIT
- CONNECTOR BLOCKS ACCEPTS TRIM TRIO CONTACTS #16 AND #20 , R*M* OR S*M* TYPES
- CONTACTS TO BE ORDERED SEPARATELY.
- WARNING: PHASE AND SIGNAL CONTACTS ARE MALE VERSION AND GROUND CONTACT IS FEMALE VERSION
- UNIT IN MM

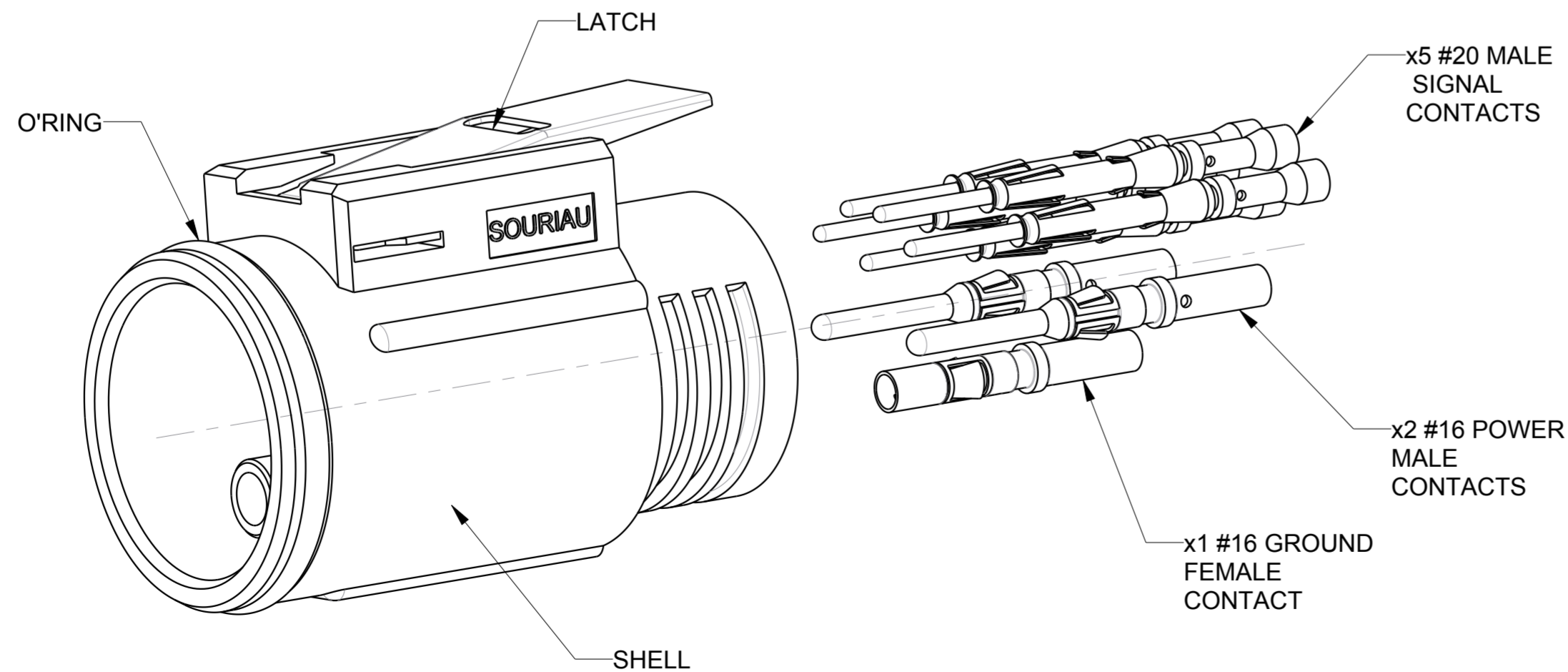
WIRING FACE



MATING FACE



OVERVIEW WITH CONTACTS (For information only)
(SEE NOTA 4)



ECHELLE 3/1

Country	Jurisdiction & Control List
FR	NOT LISTED

P/N : UTL6122G1W5P

B	06/11/15	drawing format updated		
ISS	DATE	Latest modification - by: LANDAIS.PE		MOD N°
Designed by: RAGAIN.E.M		Date:05/03/14		CUSTOMER DRAWING
TITLE		MALEPLUG SIZE 12 LAYOUT 8 CONTACTS		
		UTL CONNECTOR		
Scale	2/1	General linear Tolerances: ± 0.2	NPRDS / PROJECT UTL	
SOURIAU		WWW.SOURIAU.COM		This document is the property of SOURIAU. It must not be reproduced or communicated without permission.
FORMAT	A2	SOURIAU DRG N° UTL1-0066A-C01		SHEET 1/1