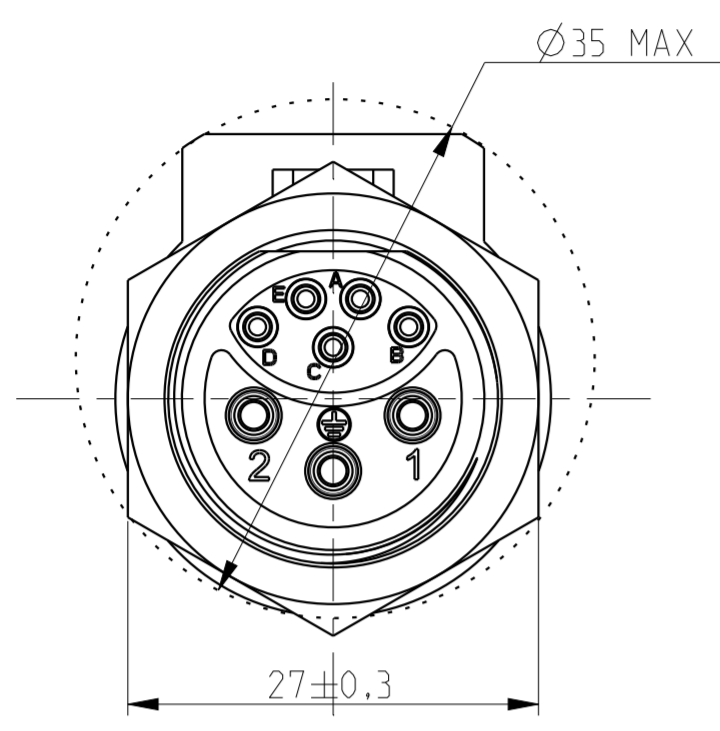
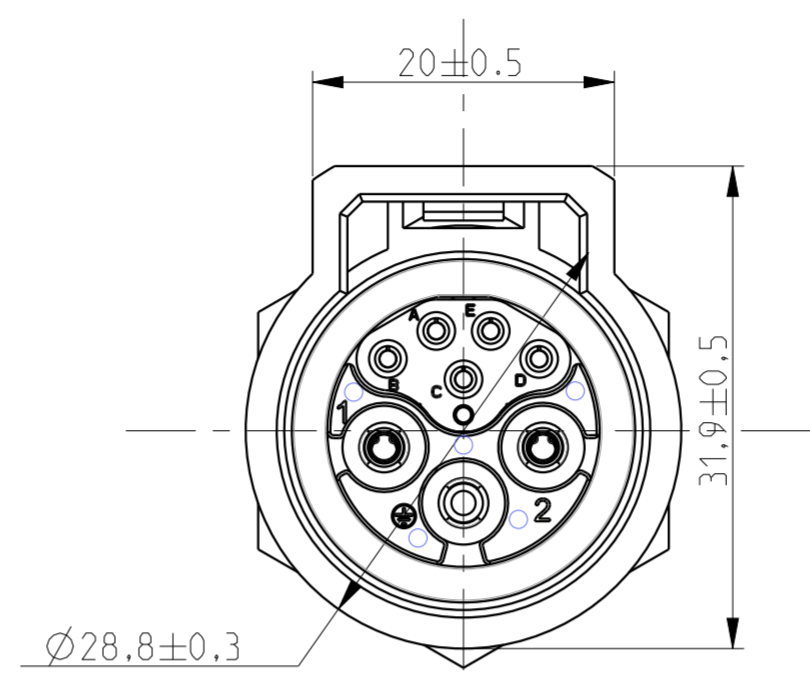


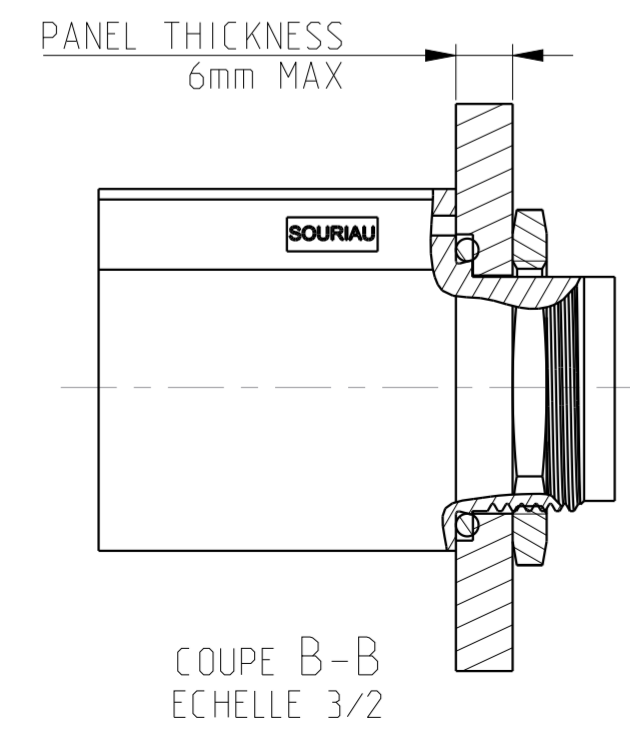
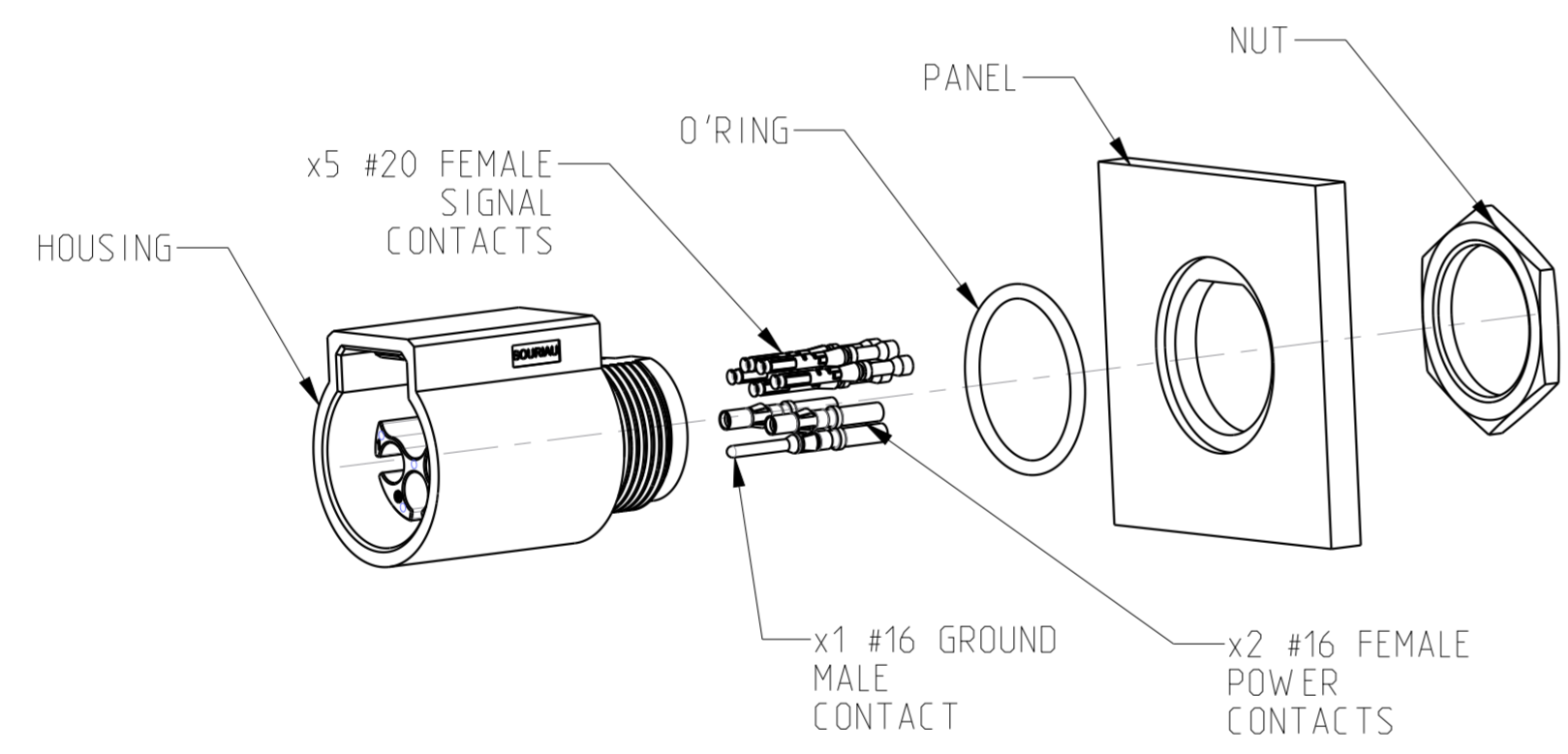
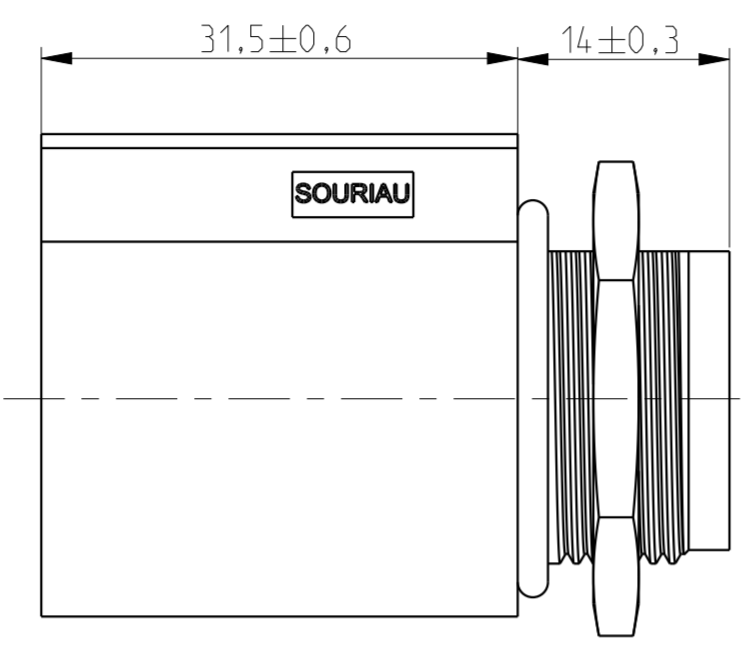
WIRING FACE



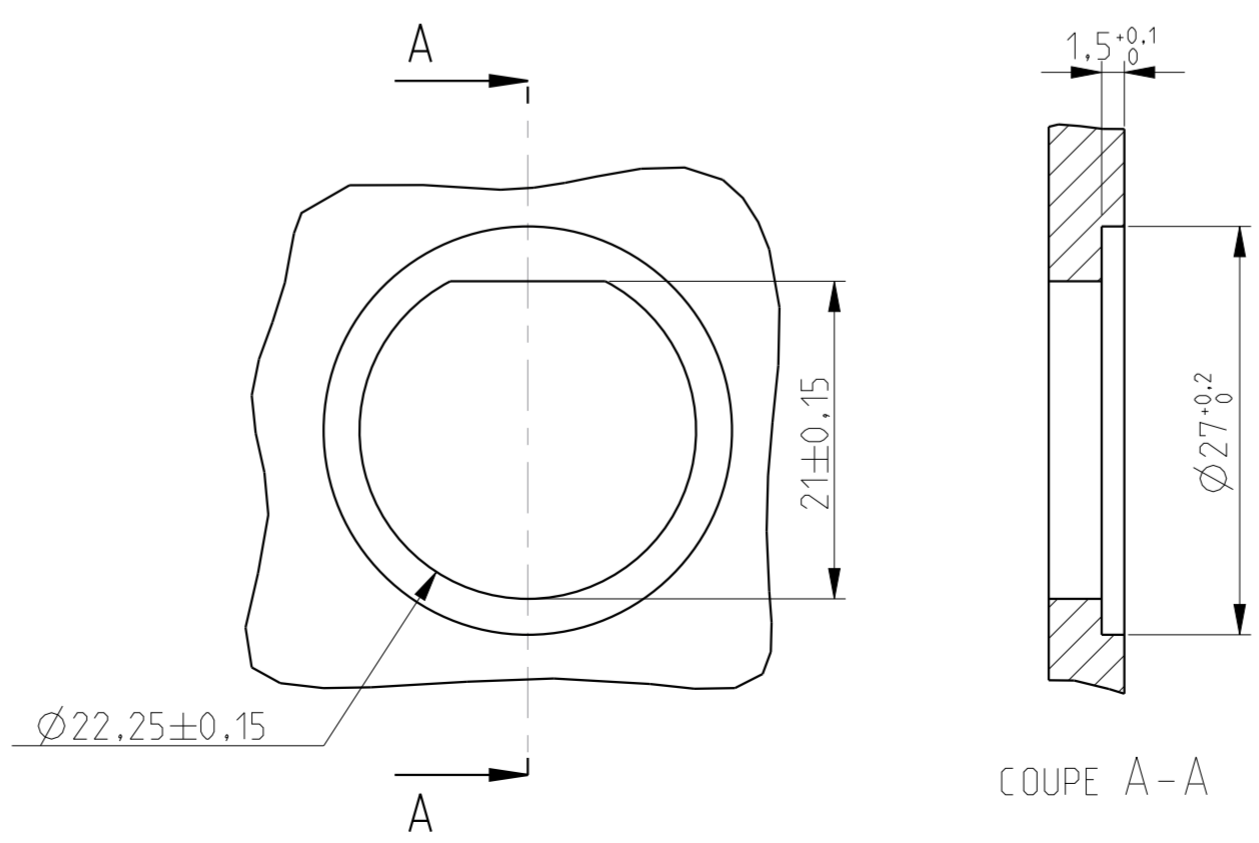
MATING FACE



ECHELLE 2/1



COUPE B-B  
ECHELLE 3/2



COUPE A-A

MATERIALS

HOUSING	PA GF REINFORCED, BLACK COLOR
O'RING	NEOPREN
NUT	ALUMINIUM ALLOY BLACK ANODIZED

PERFORMANCES CHARACTERISTICS

MECHANICAL			
TEMPERATURE CLASS	IEC61984/UL1977	-40°C TO 105°C	
DURABILITY	IEC61984	500 MATE / UNMATE CYCLES	
SEALING IN MATED CONDITION	IEC60529	IP68 1BAR DURING 1WEEK	
	DIN40050	IP69K	
SEALING IN UNMATED CONDITIONS	IEC60529	IP67 WITH CAPS	
POLLUTION DEGREE	IEC61984	4	
CORROSION SALT SPRAY		MIN 1000H	
FLAMMABILITY	UL94	MATERIAL RATING: 5VA	
OUTDOOR SUITABILITY (UV RESIST)	UL746C	MATERIAL RATING: (F1)	
SCOOP PROOF			
ELECTRICAL			
TOUCH PROOF	IEC60529	IP2X	
POWER AND GROUND LINES			
NOMINAL CURRENT	UL1977	16A WITH AWG14 WIRE / 13A WITH AWG16 WIRE	
NOMINAL CURRENT	IEC61984	16A WITH 2.5MM² WIRE / 13A WITH 1.5MM² WIRE AT 60°C	
NOMINAL VOLTAGE	UL1977	600V	
NOMINAL VOLTAGE	IEC61984	250VAC 4KV 4 FOR CLASS II	
	IEC61984	500VAC 6KV 4 FOR CLASS I	
SIGNAL CONTACT (a,b,c,d,e) LINES:			
NOMINAL VOLTAGE	IEC61984	48V AC	
NOMINAL CURRENT	IEC61984	5A	

ROHS COMPLIANT

NOTES

- COUNTERPART REFERENCE UTL PLUG
- CONNECTORS ARE DELIVERED AS PRE-ASSEMBLED KIT
- CONNECTOR BLOCKS ACCEPTS TRIM TRIO CONTACTS #16 AND #20, R\*M\* OR S\*M\* TYPES
- CONTACTS TO BE ORDERED SEPARATELY.
- WARNING: PHASE AND SIGNAL CONTACTS ARE FEMALE VERSION AND GROUND CONTACT IS MALE VERSION
- UNIT IN MM

Country	Jurisdiction & Control List
FR	NOT LISTED

P/N : UTL7122G1W 5S

B	06/11/15	drawing format updated	--
ISS	DATE	Latest modification - by: LANDAIS.PE	MOD N°
Designed by: RAGAINE.M		Date:02/10/14	CUSTOMER DRAWING
TITLE		FEMALE NUT RECEPTACLE SIZE 12 LAYOUT 8 CONTACTS UTL CONNECTOR	
Scale	1/1	General Linear Tolerances: ± --	NPRDS / PROJECT UTL
SOURIAU		WWW.SOURIAU.COM	This document is the property of SOURIAU. It must not be reproduced or communicated without permission.
FORMAT	A2	SOURIAU DRG N° UTL1-0065A-C01	SHEET 1 / 1