

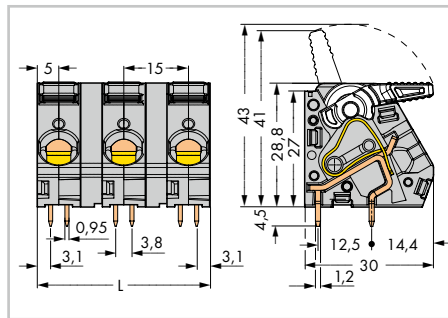
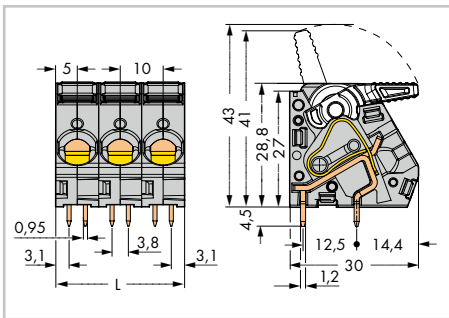
# PCB Terminal Strips with Operating Levers 16 mm<sup>2</sup>

CAGE CLAMP®

1  
115

1

Pin spacing: 10 mm / 0.394 in.		Pin spacing: 15 mm / 0.591 in.	
1.5 ... 16 mm <sup>2</sup>	16 ... 6 AWG	1.5 ... 16 mm <sup>2</sup>	16 ... 6 AWG
320 V/4 kV/2 76 A	150 V/55 A	1000 V/8 kV/2 76 A	600 V/65 A



L = pole no. x pin spacing

L = (pole no. x pin spacing) - 5 mm

Pole No.	Item No.	Pack. Unit	Pole No.	Item No.	Pack. Unit
PCB terminal strip with operating levers, gray			PCB terminal strip with operating levers, gray		
2	2716-102	65	2	2716-202	50
3	2716-103	40	3	2716-203	30
4	2716-104	30	4	2716-204	20
5	2716-105	25	5	2716-205	15
6	2716-106	20	6	2716-206	15
7	2716-107	15	7	2716-207	10
8	2716-108	15	8	2716-208	10

PCB terminal strips in other colors are available upon request (depending on quantity required):

● blue
○ light gray
● green-yellow
● light green

Other pole numbers, direct marking, as well as mixed-color PCB terminal strips are available upon request (depending on quantity required).