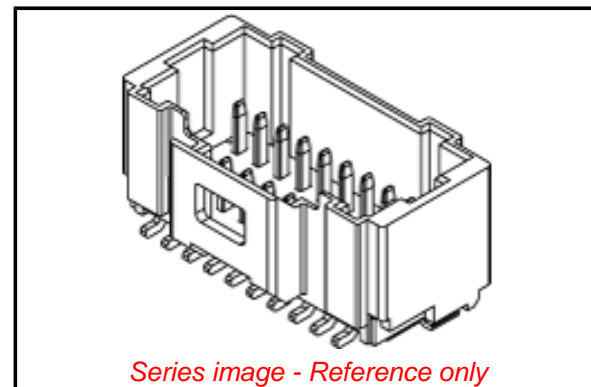


PLEASE CHECK WWW.MOLEX.COM FOR LATEST PART INFORMATION

Part Number: [5011904017](#)
Status: **Active**
Overview: Pico-Clasp™ Wire-to-Board Connectors
Description: 1.00mm Pitch Pico-Clasp™ Wire-to-Board PCB Header, Dual Row, Vertical, 40 Circuits, with Pick-and-Place Tape

Documents:

3D Model	Product Specification PS-501190-003 (PDF)
Drawing (PDF)	Product Specification PS-501190-004 (PDF)
Product Specification 5011890000 (PDF)	Packaging Specification SPK-501190-001 (PDF)
Product Specification PS-501190-001 (PDF)	RoHS Certificate of Compliance (PDF)



Agency Certification

UL E29179

General

Product Family	PCB Headers
Series	501190
Application	Signal, Wire-to-Board
Overview	Pico-Clasp™ Wire-to-Board Connectors
Product Name	Pico-Clasp™
UPC	822348790180

Physical

Breakaway	No
Circuits (Loaded)	40
Circuits (maximum)	40
Color - Resin	Natural
Durability (mating cycles max)	30
Flammability	94V-0
Glow-Wire Compliant	No
Lock to Mating Part	Yes
Material - Metal	Phosphor Bronze
Material - Plating Mating	Gold
Material - Plating Termination	Gold
Material - Resin	Nylon
Net Weight	532.100/mg
Number of Rows	2
Orientation	Vertical
PCB Locator	No
PCB Retention	Yes
Packaging Type	Embossed Tape on Reel
Pitch - Mating Interface	1.00mm
Polarized to Mating Part	Yes
Polarized to PCB	Yes
Robotic Placement	Vacuum Pick-Up Tape
Stackable	No
Temperature Range - Operating	-40°C to +105°C
Termination Interface: Style	Surface Mount

Electrical

Current - Maximum per Contact	1.0A
Voltage - Maximum	50V

Material Info

Reference - Drawing Numbers

Packaging Specification	SPK-501190-001
-------------------------	----------------

EU ELV

Not Relevant

EU RoHS

Compliant

REACH SVHC

Not Contained Per -
ED/21/2016 (20 June
2016)

Halogen-Free

Status

Not Low-Halogen

**Need more information on product
environmental compliance?**

Email productcompliance@molex.com
Please visit the [Contact Us](#) section for any
non-product compliance questions.

China ROHS

ELV

Green Image

Not Relevant

Search Parts in this Series

[501190 Series](#)

Mates With

[501189 Pico-Clasp™ Wire-to-Board Female Housing](#)

Product Specification

5011890000, PS-501190-001, PS-501190-003,
PS-501190-004, RPS-501190-001, RPS-501190-005,
RPS-501190-008, RPS-501190-010, RPS-501190-011,
RPS-501190-012, RPS-501190-013, RPS-501331-001
SD-501190-003, SD-501190-004

Sales Drawing

This document was generated on 10/03/2016

PLEASE CHECK WWW.MOLEX.COM FOR LATEST PART INFORMATION