


CAMBLOCK PLUS

5mm Pitch Standard Profile Screw Terminal Blocks

PCB
TERMINAL
BLOCKS

- 2 & 3 pole interlocking
- Guided pin alignment
- Moulded in UL94-V0 flame retardant PC
- Wire protector terminals
- 1.5mm² (22-14AWG)
- Anti solder wicking terminals
-  approved

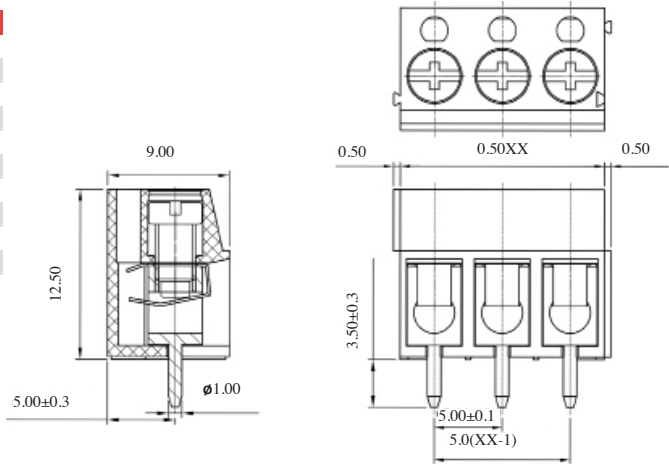
CTBP1000




SPECIFICATION

Rating	16A/250V
Insulation resistance	500MΩ/500V
Withstand Voltage	AC2000V/1min
Contact Resistance	20mΩ (max)
Working Temperature	-40°C to 105+°C
Mouldings	UL94-V0 Flame retardant PA66
Pin/Terminal	Tin plated brass
Wire Protector	Phosphor bronze, nickel plated
Screw/Torque	M3 Steel, zinc plated 0.5Nm
Recommended PCB hole size	ø1.2mm

TYPE NO.	POLES	LENGTH
CTBP1000/2	2	10mm
CTBP1000/3	3	15mm
CTBP1000/4	4	20mm
CTBP1000/5	5	25mm
CTBP1000/6	6	30mm
CTBP1000/7	7	35mm
CTBP1000/8	8	40mm
CTBP1000/9	9	45mm
CTBP1000/10	10	50mm
CTBP1000/11	11	55mm
CTBP1000/12	12	60mm



5mm Pitch Standard Profile 90° Screw Terminal Blocks

- 2 & 3 pole interlocking
- Guided pin alignment
- Moulded in UL94-V0 flame retardant PA66
- Wire protector terminals
- 1.5mm² (22-14AWG)
- Anti solder wicking terminals
-  approved

CTBP1050



SPECIFICATION

Rating	16A/250V
Insulation resistance	500MΩ/500V
Withstand Voltage	AC2000V/1min
Contact Resistance	20mΩ (max)
Working Temperature	-30°C to 120+°C
Mouldings	UL94-V0 Flame retardant PA66
Pin/Terminal	Tin plated brass
Wire Protector	Phosphor bronze, nickel plated
Screw/Torque	M3 Steel, zinc plated 0.5Nm
Recommended PCB hole size	ø1.2mm

TYPE NO.	POLES	LENGTH
CTBP1050/2	2	10mm
CTBP1050/3	3	15mm
CTBP1050/4	4	20mm
CTBP1050/5	5	25mm
CTBP1050/6	6	30mm
CTBP1050/7	7	35mm
CTBP1050/8	8	40mm
CTBP1050/9	9	45mm
CTBP1050/10	10	50mm
CTBP1050/11	11	55mm
CTBP1050/12	12	60mm

