

**PLEASE CHECK WWW.MOLEX.COM FOR LATEST PART INFORMATION**

**Part Number:** [0430450618](#)  
**Status:** **Active**  
**Overview:** [Micro-Fit 3.0™ Connectors](#)  
**Description:** Micro-Fit 3.0™ Vertical Header, 3.00mm Pitch, Dual Row, 6 Circuits, with Solder Tab, Tin, Glow Wire Capable, Black

**Documents:**

|  |  |
|--|--|
| <a href="#">3D Model</a>                             | <a href="#">RoHS Certificate of Compliance (PDF)</a> |
| <a href="#">Drawing (PDF)</a>                        | <a href="#">Product Literature (PDF)</a>             |
| <a href="#">Product Specification PS-43045 (PDF)</a> |  |

**Agency Certification**

|     |         |
|-----|---------|
| CSA | LR19980 |
| UL  | E29179  |

**General**

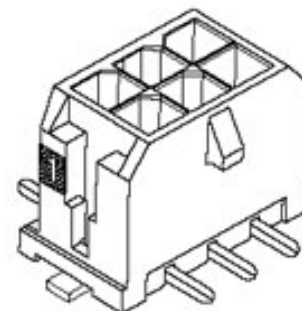
|                |  |
|----------------|--|
| Product Family | PCB Headers  |
| Series         | <a href="#">43045</a>  |
| Application    | Power, Wire-to-Board   |
| Comments       | "High Temperature Square Pin Solder Type<P><P>This Molex product is manufactured from material that has the following ratings, tested by independent agencies:.<br>a) A Glow Wire Ignition Temperature (GWIT) of at least 775 deg C per IEC 60695-2-13.. b) A Glow Wire Flammability Index (GWFI) above 850 deg C per IEC 60695-2-12.and hence complies with the requirements set out in the International Standard IEC 60335-1 5th edition - household and similar electrical appliances - safety, section 30 Resistance to heat and fire. <P><P> The customers using this product must determine its suitability for use in their particular application through testing or other acceptable means as described in end-product glow-wire flammability test standard IEC 60695-2-11 and any applicable product end-use standard(s). <P> If it is determined during the customer's evaluation of suitability, that higher performance is required, please contact Molex for possible product options." |

Overview

|                             |   |
|-----------------------------|---|
| Product Literature Order No | <a href="#">Micro-Fit 3.0™ Connectors</a> |
| Product Name                | 987650-5984                               |
| UPC                         | Micro-Fit 3.0™<br>800754371353            |

**Physical**

|                                |                                |
|--------------------------------|--------------------------------|
| Breakaway                      | No                             |
| Circuits (Loaded)              | 6                              |
| Circuits (maximum)             | 6                              |
| Color - Resin                  | Black                          |
| Durability (mating cycles max) | 30                             |
| Flammability                   | 94V-0                          |
| Glow-Wire Compliant            | Yes                            |
| Mated Height                   | 17.64mm                        |
| Material - Metal               | Brass                          |
| Material - Plating Mating      | Tin                            |
| Material - Plating Termination | Tin                            |
| Material - Resin               | High Temperature Thermoplastic |
| Net Weight                     | 1.220/g                        |



Series image - Reference only

**EU ELV**

**Not Relevant**

**EU RoHS**

**Compliant**

**REACH SVHC**

Not Contained Per - ED/21/2016 (20 June 2016)

**Halogen-Free**

**Status**

**Low-Halogen**

**Need more information on product environmental compliance?**

Email [productcompliance@molex.com](mailto:productcompliance@molex.com)  
Please visit the [Contact Us](#) section for any non-product compliance questions.

China ROHS  
ELV

Green Image  
Not Relevant

**Search Parts in this Series**

[43045](#) Series

**Mates With**

Micro-Fit 3.0™ Receptacle Housing [43025](#)  
<br>Micro-Fit 3.0™ Cable Assembly [245132](#)

|                                |                       |
|--------------------------------|-----------------------|
| Number of Rows                 | 2                     |
| Orientation                    | Vertical              |
| PCB Locator                    | Yes                   |
| PCB Retention                  | Yes                   |
| PCB Thickness - Recommended    | 1.60mm                |
| Packaging Type                 | Embossed Tape on Reel |
| Pitch - Mating Interface       | 3.00mm                |
| Plating min - Mating           | 0.254µm               |
| Polarized to PCB               | Yes                   |
| Shrouded                       | Fully                 |
| Stackable                      | No                    |
| Surface Mount Compatible (SMC) | N/A                   |
| Temperature Range - Operating  | -40°C to +105°C       |
| Termination Interface: Style   | Surface Mount         |

**Electrical**

|                               |      |
|-------------------------------|------|
| Current - Maximum per Contact | 5.0A |
| Voltage - Maximum             | 600V |

**Solder Process Data**

|  |        |
|--|--------|
| Duration at Max. Process Temperature (seconds) | 030    |
| Lead-free Process Capability                   | REFLOW |
| Max. Cycles at Max. Process Temperature        | 003    |
| Process Temperature max. C                     | 260    |

**Material Info****Reference - Drawing Numbers**

|                       |  |
|-----------------------|--|
| Product Specification | PS-43045, RPS-43045-003, RPS-43045-004 |
| Sales Drawing         | SD-43045-007                           |

This document was generated on 10/04/2016

**PLEASE CHECK [WWW.MOLEX.COM](http://WWW.MOLEX.COM) FOR LATEST PART INFORMATION**