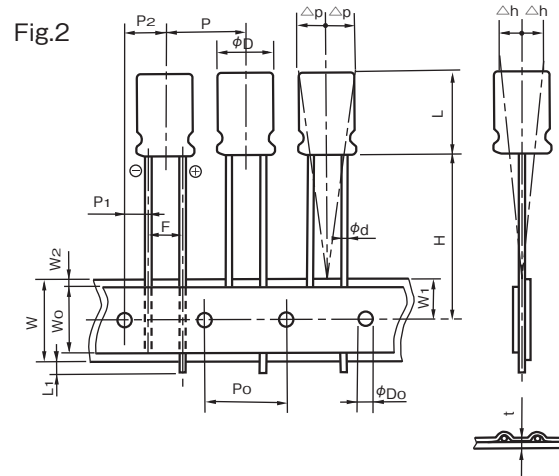
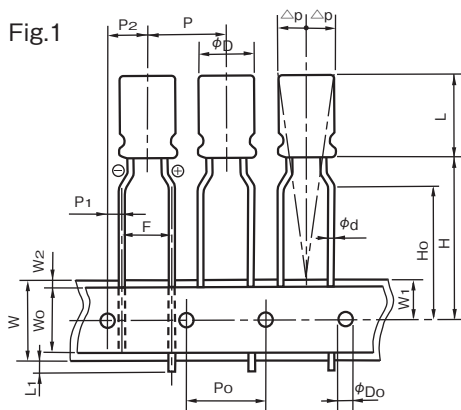
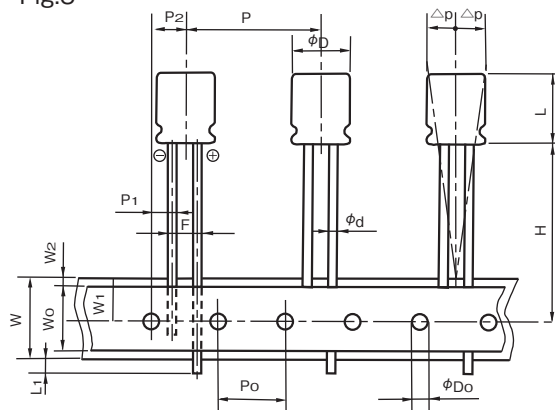




**◆ TAPING SPECIFICATIONS**
**◆ DIMENSIONS**

**◆ SPECIFICATION TABLE**

(mm)

Items	Code	5mm Height		7mm or 7.5mm Height				Tolerance
		φ4~φ8		φ4~φ6.3	φ4~φ6.3	φ8		
Taping code		T5	TZ	T5	TZ	TA	T7	
Applicable Fig. No.		Fig.2	Fig.1	Fig.2	Fig.1	Fig.1	Fig.2	
Dia. of lead	φd	0.45		0.45				±0.05
Height of body	L	6.5		8.5				MAX
Distance from center to center of next body	P	12.7		12.7				±1.0
Distance from center to center of next driving hole	P <sub>0</sub>	12.7		12.7				±0.2
Distance between center of driving hole and lead	P <sub>1</sub>	5.1	3.85	5.1	3.85	4.6	±0.5	
Distance between center of driving hole and body	P <sub>2</sub>	6.35		6.35				±1.0
Pitch of lead	F	2.5	5.0	2.5	5.0	3.5	+0.8 -0.2	
Width of mounting tape	W	18.0		18.0				±0.3
Width of adhesive tape	W <sub>0</sub>	5.0		5.0				MIN
Distance between center of driving hole and mounting tape edge	W <sub>1</sub>	9.0		9.0				±0.5
Max. allowable distance between mounting and adhesive tape edges	W <sub>2</sub>	1.5		1.5				MAX
Distance between center of driving hole and bottom of body	H	17.5		17.5		20.0		±0.75
Distance between center of driving hole and clinch part of lead	H <sub>0</sub>	—	16.0	—	16.0		—	±0.5
End of lead	L <sub>1</sub>	0.5		0.5				MAX
Dia. of driving hole	φD <sub>0</sub>	4.0		4.0				±0.2
Off alignment of body top	Δh	1.0		1.0				MAX
Off alignment of body top	Δp	1.0		1.0				MAX
Sum of thickness for mounting and adhesive tape without lead dia	t	0.6		0.6				±0.3
Quantity (pcs)		2000 (φ8:1000)						

**Fig.3**

**◆ SPECIFICATION TABLE**

(mm)

Items	Code	9mm or more Height						※ Tolerance		
		φ5, φ6.3	φ8	φ10	φ12.5	φ16	φ18			
Taping code		T1	TA	TA	T7	T8	G4	GC		
Applicable Fig. No.		Fig.2	Fig.1	Fig.1	Fig.2	Fig.2	Fig.2	Fig.3		
Dia. of lead	φd	0.5		0.6		0.8		±0.05		
Height of body	L	13.0		22.0		30.0		42.0		MAX
Distance from center to center of next body	P	12.7				15.0	30.0		±1.0	
Distance from center to center of next driving hole	P <sub>0</sub>	12.7				15.0	15.0±0.3		±0.2	
Distance between center of driving hole and lead	P <sub>1</sub>	5.1	3.85	4.6	3.85	5.0	3.75		±0.5	
Distance between center of driving hole and body	P <sub>2</sub>	6.35				7.5		±1.0		
Pitch of lead	F	2.5	5.0	3.5	5.0±0.8		7.5±0.8		+0.8 -0.2	
Width of mounting tape	W	18.0						±0.3		
Width of adhesive tape	W <sub>0</sub>	5.0						MIN		
Distance between center of driving hole and mounting tape edge	W <sub>1</sub>	9.0						±0.5		
Max. allowable distance between mounting and adhesive tape edges	W <sub>2</sub>	1.5						MAX		
Distance between center of driving hole and bottom of body	H	18.5		20.0		18.5 <sup>+0.75</sup> <sub>-0.5</sub>		±0.75		
Distance between center of driving hole and clinch part of lead	H <sub>0</sub>	—	16.0		—	—		±0.5		
End of lead	L <sub>1</sub>	0.5						MAX		
Dia. of driving hole	φD <sub>0</sub>	4.0						±0.2		
Off alignment of body top	△h	1.0						MAX		
Off alignment of body top	△p	1.0						MAX		
Sum of thickness for mounting and adhesive tape without lead dia	t	0.6						±0.3		
Quantity (pcs)		2000		1000		500		250		

※For the case that tolerance is specified individually, the value shall have the priority.

**◆ LEAD CUTTING FORMING SPECIFICATIONS**

Rubycon provides lead-formed and lead-cut products to facilitate mounting on printed circuit boards, as well as products with leads specially processed (kink formed) for self supporting insertions to printed circuit boards.

•Lead forming  
( $\phi 5 \sim \phi 8$ )  
Lead forming code : FA

(mm)

$\phi D$	5	6.3	8
$\phi d$	0.5		0.6
F	5.0		

---

•Lead cutting  
( $\phi 5 \sim \phi 18$ )  
Lead cutting code : CA  
CC  
CE

(mm)

$\phi D$	5	6.3	8	10	12.5	14.5	16	18
H	5.0 ..... (CA) 4.0 ..... (CC) 3.5 ..... (CE)							
$\phi d$	0.5		0.6		0.8			
F	2.0	2.5	3.5	5.0	7.5			

---

•Kinked lead forming  
( $\phi 5 \sim \phi 8$ )  
Kinked lead forming code : KC

(mm)

$\phi D$	5	6.3	8	10	12.5	14.5	16	18
H1	4.5							
H2	2.8							
H3	2.5		—					
F	5.0				7.5			
P	1.0							
E	1.2			1.3				
$\phi d$	0.5		0.6		0.8			

---

•Kinked lead cutting  
( $\phi 10 \sim \phi 18$ )  
Kinked lead cutting code : KC

(mm)

$\phi D$	5	6.3	8	10	12.5	14.5	16	18
H1	4.5							
H2	2.8							
H3	2.5		—					
F	5.0				7.5			
P	1.0							
E	1.2			1.3				
$\phi d$	0.5		0.6		0.8			

---

•( $\phi 10 \sim \phi 18$ ) / Low profile with horizontal mounting

(mm)

$\phi D$	10, 12.5				14.5, 16, 18			
Code	RI	RK	RX	SG	RI	RK	RX	SG
$\phi d$	0.6				0.8			
F	5.0				7.5			
H	4.0		3.5		4.0		3.5	
Type	A	B	A	B	A	B	A	B



# ALUMINUM ELECTROLYTIC CAPACITORS

## PACKAGING SPECIFICATION

### ◆ LEAD WIRE TYPE

SIZE		LONG LEAD				LEAD FORMING				TAPING	
		PACKAGE QUANTITY		STANDARD SHIPPING CARTON QUANTITY		PACKAGE QUANTITY		STANDARD SHIPPING CARTON QUANTITY		PACKAGE QUANTITY	STANDARD SHIPPING CARTON QUANTITY
		BULK PACKAGE	ALIGNED PACKAGE	BULK PACKAGE	ALIGNED PACKAGE	BULK PACKAGE	ALIGNED PACKAGE	BULK PACKAGE	ALIGNED PACKAGE		
φ4	4x5	5,000	—	50,000	—	5,000	—	50,000	—	2,000	20,000
	4x7	5,000	—	50,000	—	5,000	—	50,000	—	2,000	20,000
φ5	5x5	5,000	—	50,000	—	5,000	—	50,000	—	2,000	20,000
	5x7	5,000	—	50,000	—	5,000	—	50,000	—	2,000	20,000
	5x11	3,000	—	30,000	—	5,000	—	50,000	—	2,000	20,000
φ6.3	6.3x5	3,000	—	30,000	—	5,000	—	50,000	—	2,000	20,000
	6.3x7	3,000	—	30,000	—	5,000	—	50,000	—	2,000	20,000
	6.3x9	2,000	—	12,000	—	3,000	—	18,000	—	2,000	10,000
	6.3x11	2,000	—	12,000	—	3,000	—	18,000	—	2,000	10,000
	6.3x15	2,000	—	12,000	—	3,000	—	18,000	—	2,000	10,000
	6.3x25	1,000	—	6,000	—	1,000	—	6,000	—	—	—
	6.3x30	1,000	—	6,000	—	1,000	—	6,000	—	—	—
	6.3x40	1,000	—	6,000	—	1,000	—	6,000	—	—	—
	6.3x50	1,000	—	6,000	—	1,000	—	6,000	—	—	—
	φ8	8x5	3,000	—	30,000	—	5,000	—	50,000	—	1,000
8x7		3,000	—	18,000	—	5,000	—	30,000	—	1,000	10,000
8x7.5		2,000	—	20,000	—	2,000	—	20,000	—	1,000	10,000
8x9		2,000	—	12,000	—	2,000	—	12,000	—	1,000	10,000
8x10.8		2,000	—	12,000	—	2,000	—	12,000	—	1,000	10,000
8x11.5		2,000	—	12,000	—	2,000	—	12,000	—	1,000	10,000
8x16		1,000	—	6,000	—	1,000	—	6,000	—	1,000	4,000
8x20		1,000	—	6,000	—	1,000	—	6,000	—	1,000	4,000
8x23		1,000	—	6,000	—	1,000	—	6,000	—	1,000	4,000
8x25		—	500	—	2,000	—	500	—	2,000	—	—
8x30		—	500	—	2,000	—	500	—	2,000	—	—
8x35		—	500	—	2,000	—	500	—	2,000	—	—
8x40		—	500	—	2,000	—	500	—	2,000	—	—
8x45		—	500	—	2,000	—	500	—	2,000	—	—
8x50		—	500	—	2,000	—	500	—	2,000	—	—
8x55		—	500	—	1,500	—	500	—	2,000	—	—
8x60		—	500	—	1,500	—	500	—	2,000	—	—
φ10		10x9	1,000	—	6,000	—	1,000	—	6,000	—	500
	10x10	1,000	—	6,000	—	1,000	—	6,000	—	500	5,000
	10x12.5	1,000	—	6,000	—	1,000	—	6,000	—	500	5,000
	10x16	1,000	—	6,000	—	1,000	—	6,000	—	500	5,000
	10x20	1,000	—	4,000	—	1,000	—	4,000	—	500	5,000
	10x23	1,000	—	4,000	—	1,000	—	4,000	—	500	5,000
	10x25	1,000	500	4,000	2,000	1,000	500	4,000	2,000	500	5,000
	10x28	1,000	500	4,000	2,000	1,000	500	4,000	2,000	500	5,000
	10x30	—	500	—	2,000	—	500	—	2,000	—	—
	10x35	—	500	—	2,000	—	500	—	2,000	—	—
	10x40	—	500	—	2,000	—	500	—	2,000	—	—
	10x45	—	500	—	2,000	—	500	—	2,000	—	—
	10x50	—	500	—	2,000	—	500	—	2,000	—	—
	10x55	—	500	—	1,500	—	500	—	2,000	—	—
10x60	—	500	—	1,500	—	500	—	2,000	—	—	
φ12.5	12.5x16	1,000	—	4,000	—	1,000	500	4,000	2,500	500	2,000
	12.5x20	1,000	500	4,000	2,500	1,000	500	4,000	2,500	500	2,000
	12.5x25	1,000	500	4,000	2,500	1,000	500	4,000	2,500	500	2,000
	12.5x30	600	500	2,400	2,000	600	500	2,400	2,000	500	2,000
	12.5x35	600	500	2,400	2,000	600	500	2,400	2,000	500	2,000
	12.5x40	600	500	2,400	2,000	600	500	2,400	2,000	500	2,000
	12.5x45	—	500	—	2,000	—	500	—	2,000	—	—
	12.5x50	—	500	—	2,000	—	500	—	2,000	—	—
	12.5x55	—	500	—	1,500	—	500	—	1,500	—	—
	12.5x60	—	500	—	1,500	—	500	—	1,500	—	—
φ14.5	14.5x20	—	500	—	1,500	—	500	—	1,500	—	—
	14.5x25	—	500	—	1,500	—	500	—	1,500	—	—
	14.5x30	—	500	—	1,500	—	500	—	1,500	—	—
	14.5x31.5	—	500	—	1,500	—	500	—	1,500	—	—
	14.5x35	—	500	—	1,500	—	500	—	1,500	—	—
	14.5x40	—	500	—	1,500	—	500	—	1,500	—	—
	14.5x45	—	500	—	1,500	—	500	—	1,500	—	—
φ16	16x16	600	—	2,400	—	600	400	2,400	2,000	250	1,500
	16x20	600	200	2,400	1,000	600	400/200	2,400	2,000/1,000	250	1,500
	16x25	600	200	2,400	1,000	600	400/200	2,400	2,000/1,000	250	1,500
	16x30	—	200	—	1,000	—	200	—	1,000	250	1,500
	16x31.5	—	200	—	1,000	—	200	—	1,000	250	1,500
	16x35	—	200	—	1,000	—	200	—	1,000	250	1,000
	16x35.5	—	200	—	1,000	—	200	—	1,000	250	1,000
	16x40	—	200	—	1,000	—	200	—	1,000	250	1,000
	16x45	—	200	—	1,000	—	200	—	1,000	—	—
	16x50	—	200	—	1,000	—	200	—	1,000	—	—
	φ18	18x16	500	—	2,000	—	—	200	—	1,000	250
18x20		500	200	2,000	1,000	—	200	—	1,000	250	1,500
18x25		500	200	2,000	1,000	—	200	—	1,000	250	1,500
18x30		—	200	—	1,000	—	200	—	1,000	250	1,000
18x31.5		—	200	—	1,000	—	200	—	1,000	250	1,000
18x35		—	200	—	1,000	—	200	—	1,000	250	1,000
18x35.5		—	200	—	1,000	—	200	—	1,000	250	1,000
18x40		—	200	—	1,000	—	200	—	1,000	250	1,000
18x45		—	200	—	1,000	—	200	—	1,000	—	—
18x50		—	200	—	1,000	—	200	—	1,000	—	—

There are some differences between actual package quantity and above list.

For the sizes stated both bulk and aligned package, aligned package is standard for exporting carton.