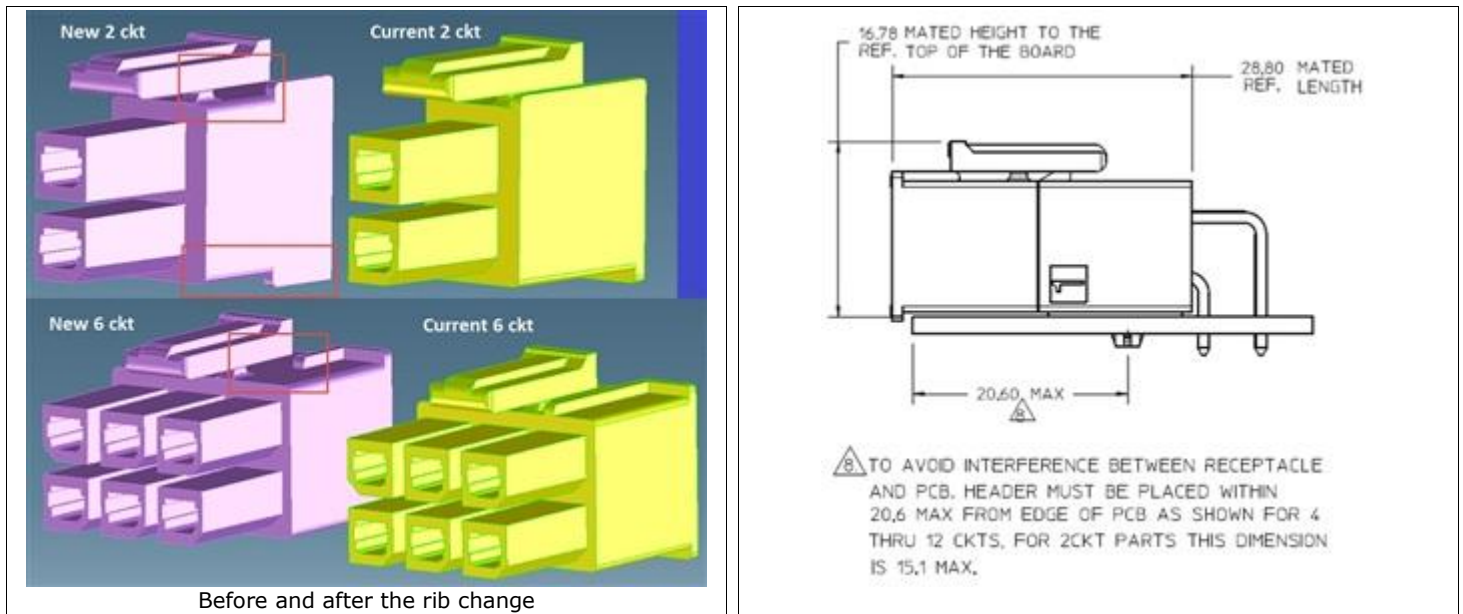


Global Change Notification (GCN)

Product Family	Mega Fit	10677089
		GCN Number
Series	170001, 171692	April 08, 2015
		Date Issued
Reason For Change	New, Modified, Or Replacement Tooling	
Change Description	This letter is to announce that Molex is making a change to the ribs on the Mega Fit Receptacles to facilitate a strain relief option. This will require changes to the mold. This will be a running change and should have no impact on product performance. For applications using 2ckt right angle headers, please review the spacing between the end of the board and the ribs on the bottom of the receptacle.	



Before and after the rib change

Part Numbers Affected	Please refer to CustomerPartList.csv attached to e-mail message.
Reason For Short Notice Exception	Special Request
Assessment Of Change (How Product Will Be Qualified & Validated)	Product will be fully qualified by Molex before it is released to production.
Internal Molex Qualification Date (Planned Date Information Available)	April 01, 2015
Sample Availability Date (Changed Part)	April 01, 2015
Date of Implementation	April 01, 2015
Method of Identifying Change	Product made after April 1, 2015 can contain this change
Recommended Replacement Parts	Not applicable
Last Time Buy Date for Obsolete Parts	
Last Time Ship Date for Obsolete Parts	

Contact	Name	E-mail	Phone Number
Sales Engineer	Please refer to e-mail message for your local sales engineer.		
Regional Coordinator (Japan and Korea)	Naomi Maruyama	Naomi.Maruyama@molex.co.jp	+81-46-265-2416
Regional Coordinator (Asia- excluding Japan and Korea)	Allen Yu	Allen.Yu@molex.com	+886-2-66251751
Regional Coordinator (Europe, Middle East, Africa)	Agnes Mburu	Agnes.Mburu@molex.com	+31-40-295-8271
Regional Coordinator (Americas)	Maria Sullivan	Maria.Sullivan@molex.com	1-727-322-4352

Molex, Inc.
 2222 Wellington Court
 Lisle, IL 60532
 TEL: 630-969-4747
www.molex.com