

JULY 2015

OBSOLETE RACK MOUNT PULL-OUT SHELVES, DRAWERS AND SHELF (BULLETINS P20 and DACCY)

Changes effective immediately

- Obsolescence:** 11 Rack Mount Pull-Out Shelves and five Industrial Shelves and Drawers in the P20 bulletin are now obsolete, effective immediately. Replacement options are listed in the table below. These products are low-volume parts and are used in Industrial PROLINE (gray) and Industrial Free-Standing enclosures.
- Product Change:** Pull-out distance (how far the shelf slides) changed from 19 in. to 17 in. on 2 shelves in bulletin DACCY.

Cross Reference

Product Type	Obsolete Catalog #	Replacement Catalog #	Color
PROLINE Pull-Out Shelves	P19PSH5	P19SHP68*	Gray
PROLINE Pull-Out Shelves	P19PSH6	P19SHP68*	Gray
PROLINE Pull-Out Shelves	P19PSH8	P19SHP810*	Gray
PROLINE Pull-Out Shelves	P19PSH9	P19SHP810*	Gray
PROLINE Pull-Out Shelves	P23PSH5	P23SHP68*	Gray
PROLINE Pull-Out Shelves	P23PSH6	P23SHP68*	Gray
PROLINE Pull-Out Shelves	P23PSH8	P23SHP810*	Gray
PROLINE Pull-Out Shelves	P23PSH9	P23SHP810*	Gray
PROLINE Pull-Out Shelves	P24PSH6	-	Gray
PROLINE Pull-Out Shelves	P24PSH8	-	Gray
PROLINE Pull-Out Shelves	P24PSH9	-	Gray
Industrial Rack Mount Shelves	A19SHP6	P19SHP68*	Gray
Industrial Rack Mount Shelves	DL29SHP	-	Gray
Industrial Rack Mount Drawers	A19DR2U	P19DR1US, P19DR2US	Gray
Industrial Rack Mount Drawers	A19DR4U	P19DR3US	Gray
Industrial Rack Mount Drawers	DL329DR	-	Gray

*Add B for black color, e.g. P19HP68B.

Shelf Engineering Change

Product Type	Catalog Number	Change	Color
Sliding Equipment Shelf	P19SHP810B	Shelf pull distance decreases from 19 in. to 17 in.	Black
Sliding Equipment Shelf	P23SHP810B	Shelf pull distance decreases from 19 in. to 17 in.	Black

Why the Changes?

The slide mechanism used in these products is outdated and Hoffman is no longer able to source these parts. Luckily, there is a better design for both the shelves and drawers used in our Networking line that can be used in the Industrial products as well.

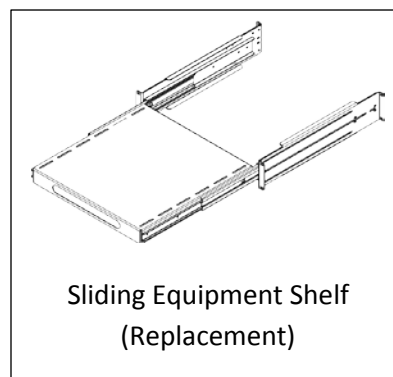
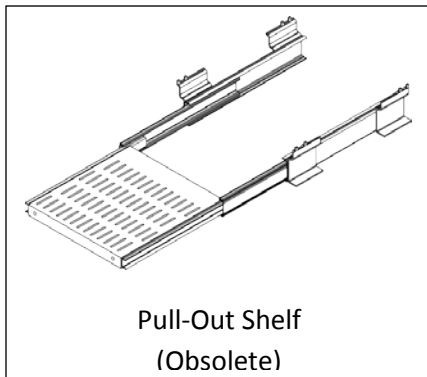
What's Different?

The replacement shelves have three primary differences:

Dimensions: There are slight dimensional differences between the obsolete and replacement shelves. These include width, length and shelf pull-out distance. See table below for details.

Shelf Surface: The obsolete shelves were perforated. Replacement shelves are solid mild steel.

Mounting: The obsolete shelves mounted on the rear leg of the rack angles. Because of this, the options for rack angles to mount to were limited, as well as the rack angle spacing. The replacement shelves mount to the front leg of the rack angle which makes them more universal--fitting any rack angle, and they are fully adjustable for rack angle spacing. Truly a better option for the customer.



Dimensional Differences

Product Type	Obsolete Catalog #	Obsolete WxDxT (in.)	Replacement Catalog No.	Replacement WxDxT (in.)
PROLINE Pull-Out Shelves	P19PSH5	15.9 x 14.2 x 14.0	P19SHP68	16.2 x 16.7 x 17.0
PROLINE Pull-Out Shelves	P19PSH6	15.9 x 18.2 x 18.0	P19SHP68	16.2 x 16.7 x 17.0
PROLINE Pull-Out Shelves	P19PSH8	15.9 x 26.0 x 26.5	P19SHP810	16.2 x 24.6 x 17.0
PROLINE Pull-Out Shelves	P19PSH9	15.9 x 30.0 x 30.0	P19SHP810	16.2 x 24.6 x 17.0
PROLINE Pull-Out Shelves	P23PSH5	19.9 x 14.2 x 14.0	P23SHP68	20.2 x 16.7 x 17.0
PROLINE Pull-Out Shelves	P23PSH6	20.0 x 18.2 x 14.0	P23SHP68	20.2 x 16.7 x 17.0
PROLINE Pull-Out Shelves	P23PSH8	19.9 x 26.0 x 26.5	P23SHP810	20.2 x 24.6 x 17.0
PROLINE Pull-Out Shelves	P23PSH9	19.9 x 30.0 x 30.0	P23SHP810	20.2 x 24.6 x 17.0

Quick Recap

- 11 shelves obsolete (low volume). Replaced by four new shelves (with new design from Networking)
- Five rack mount drawers (low volume) replaced with Networking options
- Affects enclosures: Industrial and Networking PROLINE, DC, A30, A4L and A4L3
- Affects Networking Racks: DOFR4 and DOFR2

Need more answers?

Here are a few answers to frequently asked questions to assist you.

What if I have a customer who orders these items assembled into a modified enclosure?

If you are trying to order a modified enclosure re-run order with one of the old catalog numbers built inside, you may get an error message stating, " Item number must be re-quoted before it can be ordered". If you have a quote that needs to be changed, the following steps must be followed:

1. Search Quotes for the old shelf and drawer numbers
2. Click on the quote number you wish to update and click the New Revision button
3. Navigate to the Quote Line Items page. Click Edit if necessary, and then Verify Modifications
4. Review the items you wish to change and click Update Modifications
5. Select the new shelf or drawer you wish to use (refer to above table for reference)
6. Complete the quote as usual, running through the remaining pages
7. Contact your quoter to update Run Status to (4) Rerun with Internal Changes; this will not affect lead time
8. The item is now orderable

I have a customer who needs a different solution; what should I do?

Hoffman excels at custom products. If these products aren't an exact match to the need, we can always look into a custom solution. Have an idea for how this product or how the selection could be improved? Let us know!

Additional information

[Click here](#) for the sliding equipment shelf info and spec sheet

MARKETING CONTACTS

Kathy Erickson

Global Product Manager
Modular Enclosures
1.763.422.2557
kathy.erickson@pentair.com

Kindra Boelke

Global Product Manager
Networking and OSP
1.763.422.2657
Kindra.boelke@pentair.com



SALES COMMUNICATION

Hoffman

Emily DeLozier

Global Product Manager

Large and HMI

1.763.422.2103

emily.delozier@pentair.com