


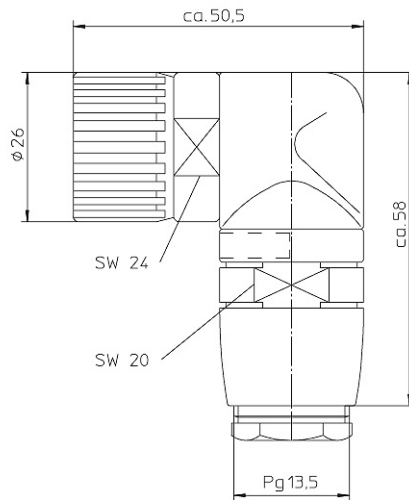
## Product information

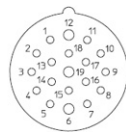
### RKCW.../13,5 - RKCW 190/13,5

Industrial Connecting Solutions:Circular Connectors:7/8", M23 Connectors:M23 Connectors:Field Attachable M23 Connectors:Female Connectors:RKCW.../13,5

<https://e-catalog.hirschmann.com:443/link/57078-24228-256281-256289-248941-279256-279261-277806/en/RKCW190-135/uistate>

Name	RKCW.../13,5
	
	Field Attachable Connector, M23 female right angle connector with threaded joint, assembling with solder connections, Screw joint for cable PG 13,5; 19-poles.
<b>Delivery informations</b>	
Availability	available
<b>Product description</b>	
Type	RKCW 190/13,5
Order No.	2207
Description	Field Attachable Connector, M23 female right angle connector with threaded joint, assembling with solder connections, Screw joint for cable PG 13,5; 19-poles.
Number of contacts	19
Product characteristics	Vibration resistance, Oil resistance, Drag chains suitable, EMC resistance, UV resistance
<b>Mechanical data</b>	
Type of plug-in contact	Female connector
Thread	M23
Design of electrical connection	connector M23
LED display present	✘
<b>Environmental conditions</b>	
Environmental temperature	-40 °C ... 125 °C
Degree of protection (IP), mounted	IP67
Pollution degree	3
<b>Materials</b>	
Housing material / Molded body	CuZn, nickel-plated
Contact bearer material	PBT
Contact material	CuZn
Contact material - Surface refinement	pre-nickeled and gold-plated
Knurled screw / nut material	CuZn, nickel-plated
<b>Electrical data</b>	
Rated current In	7.5 A (7.5 A - pin-Ø 1.0 mm; 10 A - pin-Ø 1.5 mm)
Nominal voltage	120 V
Rated voltage	125 V
Test voltage	1.5 kV eff./60 s
Insulation resistance	> 10 GΩ
<b>Approvals</b>	
RoHS 2002/95/EG compliant	RoHS 2002/95/EG
<b>Cable</b>	
Diameter of conductor	0.2 mm

Picture  
 Drawing

**12-polig**  
**12 poles**

**19-polig**  
**19 poles**


**Belden Deutschland GmbH**  
 Im Gewerbepark 2  
 58579 Schalksmühle  
 Germany  
 Phone: +49 7127/14-1806  
 E-Mail: [icos-sales@belden.com](mailto:icos-sales@belden.com)

The information published in the websites has been compiled as carefully as possible. It is subject to alteration without notice in technical as well as in price-related/commercial respect. The complete information and data were available on user documentation. Mandatory information can only be obtained by a concrete query.