



MICRO SWITCH
 FREEPORT, ILLINOIS, U S A
 A DIVISION OF HONEYWELL
 FED. MFG. CODE 91929

SWITCH - ENCLOSED

CATALOG LISTING
BZLN-200-RH

BZLN-200-RH

M

DRAWING NUMBER

M

ISSUE **14**

REPLACES

RELEASE NO.

CHECK

REVISIONS

A	CO19597	RER	5 OCT 64
B	CO50714	S J W	29 APR 82
C	CO55988	M A M	31 OCT 84
D	CO-81715	J A K	26 SEP 95

CHECK

DRAW

16 NOV 64

DRAW

CHECK

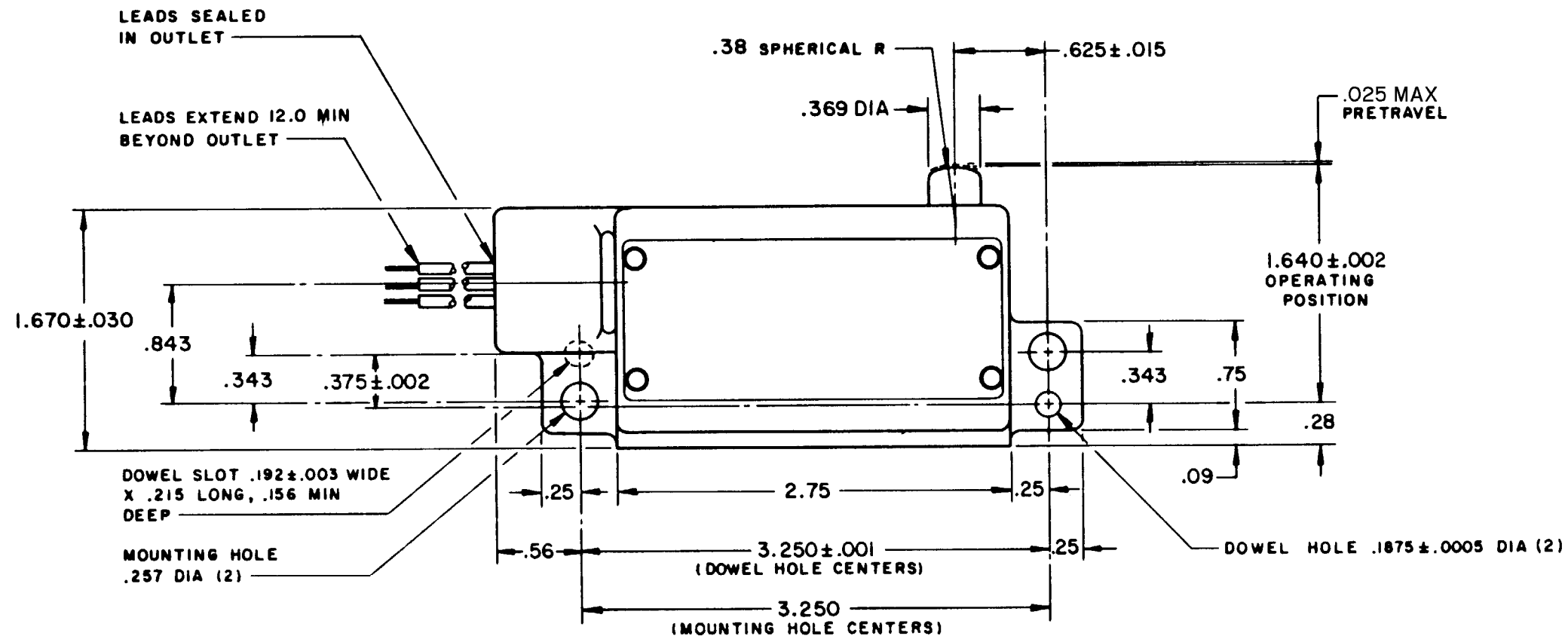
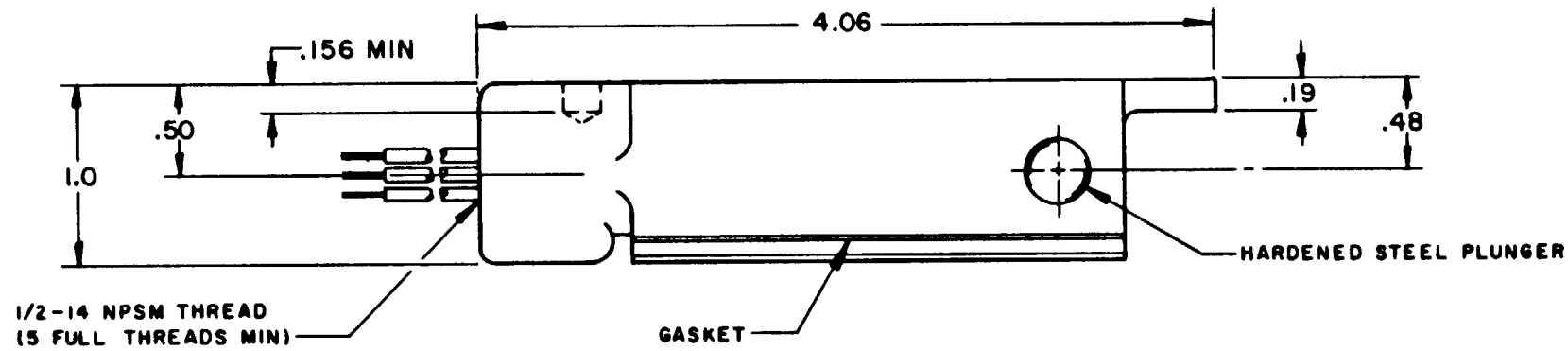
64

DRAW

RER

5 NOV

FORMTEK



THIS DRAWING COVERS A PROPRIETARY ITEM AND IS THE PROPERTY OF MICRO SWITCH, A DIVISION OF MINNEAPOLIS-HONEYWELL REGULATOR CO. THIS DRAWING IS NOT TO BE COPIED OR USED WITHOUT THE APPROVAL OF MICRO SWITCH.

CHARACTERISTICS	ELECTRICAL DATA	SCALE FULL
OPERATING FORCE - - - - - 5 LB MAX	CONTACT ARRANGEMENT S P D T	DO NOT SCALE PRINT
RELEASE FORCE - - - - - 1 LB MIN	-L96- 15 A-125, 250, OR 480 VAC 1/2 A-125 VDC; 1/4 A-250 VDC 1/8 HP-125 VAC; 1/4 HP-250 VAC RL	UNLESS OTHERWISE NOTED DIMENSIONS ARE IN INCHES
DIFFERENTIAL TRAVEL - - - - .003 MAX		TOLERANCES ARE:
OVERTRAVEL - - - - - .203 MIN		ONE PLACE (.0) ±.030 TWO PLACE (.00) ±.015 THREE PLACE (.000) ±.008 ANGLES ±
		WEIGHT .720 LB PLUS LEADS

WIRING CONNECTIONS -
 COMMON - BLACK LEAD
 NORMALLY OPEN - BLUE LEAD
 NORMALLY CLOSED - RED LEAD