



MICRO SWITCH

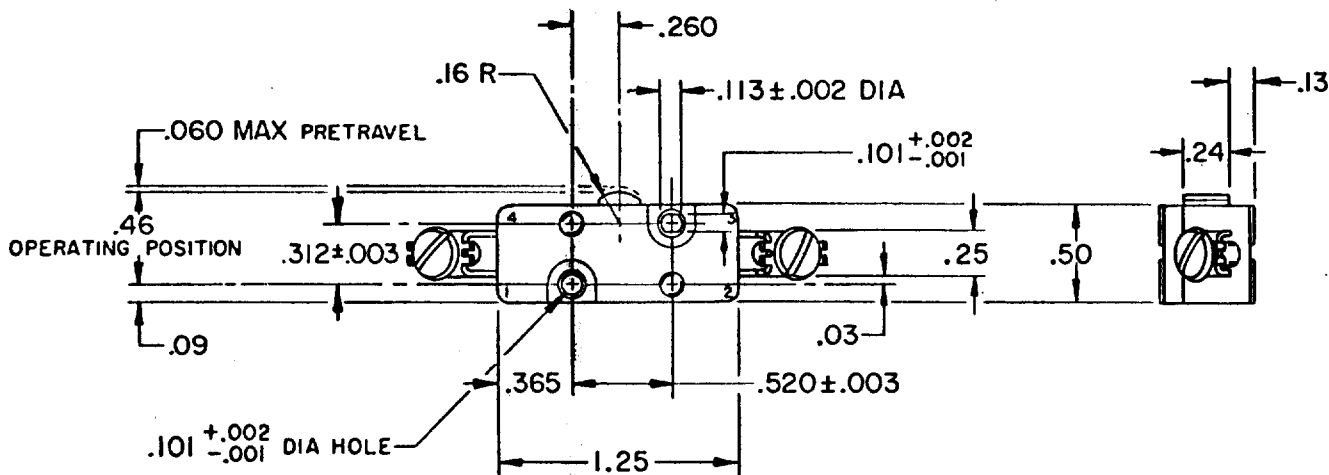
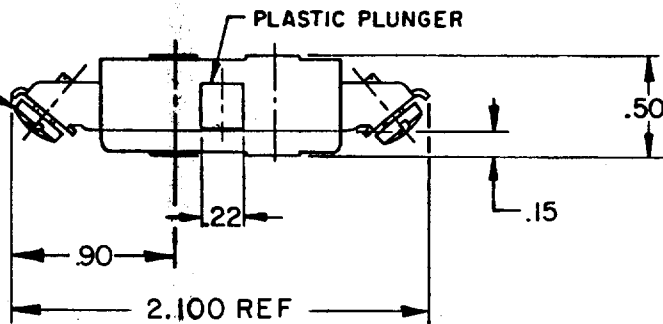
FREEPORT, ILLINOIS, U.S.A.
A DIVISION OF HONEYWELL

FED. MFG. CODE 91829

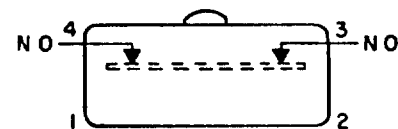
SWITCH - BASIC

CATALOG LISTING
3TB41-15

6-32 UNC X
.250 REF BINDING HEAD
TERMINAL SCREW (2)



NOTE
1 - TERMINALS 3 & 4 NORMALLY OPEN



CIRCUIT DIAGRAM

THIS DRAWING COVERS A PROPRIETARY ITEM AND IS THE PROPERTY OF MICRO SWITCH, A DIVISION OF HONEYWELL. THIS DRAWING IS NOT TO BE COPIED OR USED WITHOUT THE APPROVAL OF MICRO SWITCH.

CHARACTERISTICS

OPERATING FORCE - - - - - 7-13 OZ
RELEASE FORCE - - - - - 4 OZ MIN
DIFFERENTIAL TRAVEL - - - - .010-.025
OVERTRAVEL - - - - - .010 MIN

ELECTRICAL DATA

CONTACT ARRANGEMENT
SEE CIRCUIT DIAGRAM

L25 10A-125 OR 250 VAC
1/2HP-125 VAC



SCALE FULL

DO NOT SCALE PRINT

UNLESS OTHERWISE NOTED

DIMENSIONS ARE IN INCHES

TOLERANCES ARE:

ONE PLACE (.0) ±.030
TWO PLACE (.00) ±.015
THREE PLACE (.000) ±.005
ANGLES ±

WEIGHT .02 LB

3TB41-15

M

DRAWING NUMBER

ISSUE

2

REPLACES X77522-TB

RELEASE NO. PR-12691

CHECK

REVISIONS

A 0059824
JAS
18 SEPT 86

CHECK

10 JAN 84

CHECK

10 JAN 84

CHECK

JAS

DRAWN

90378