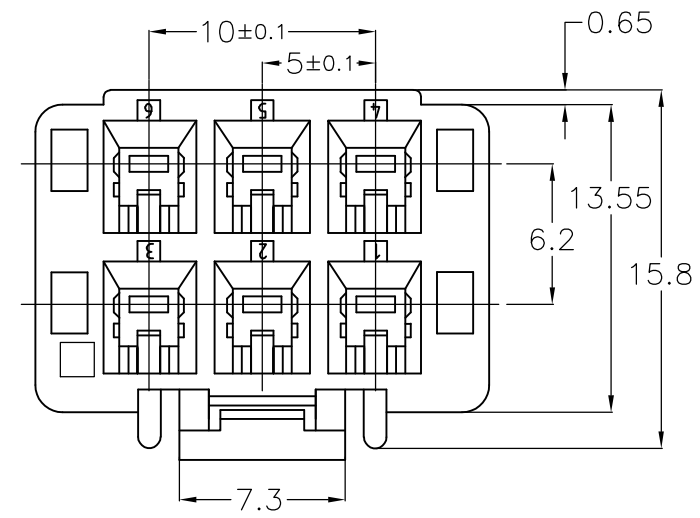


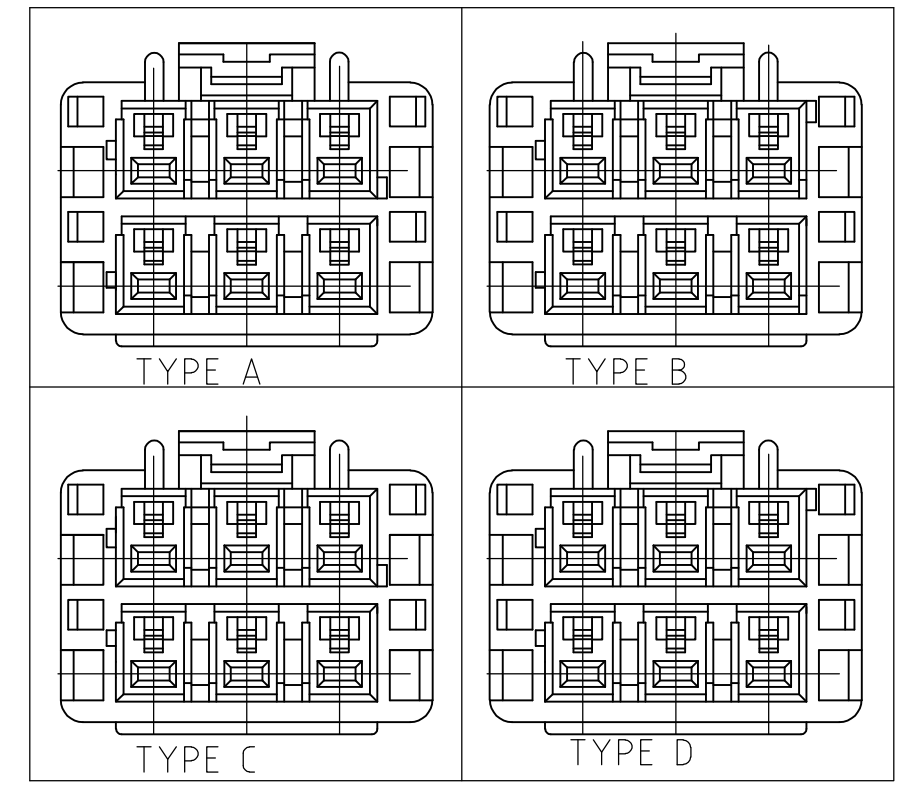
THIS DRAWING IS UNPUBLISHED. RELEASED FOR PUBLICATION
 © COPYRIGHT - By - ALL RIGHTS RESERVED.

| REVISIONS | | | | | |
|-----------|-----|---------------------------|-----------|-----|------|
| P | LTR | DESCRIPTION | DATE | DWN | APVD |
| B1 | | REVISED PER ECR-16-007444 | 28MAY2016 | NK | SC |

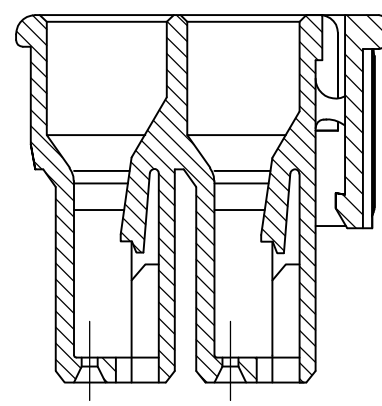


- 1 MATING CONN. P/N
HEADER ASS'Y :SEE TABLE
REC CONTACT ;1376347-1,1376348-1.
- 2 PARTS MEET IEC 60335-1 (GWT GLOW
WIRE TEST 750 DEGREE SPEC).
- 3 NYLON 66, GWT, V-0.

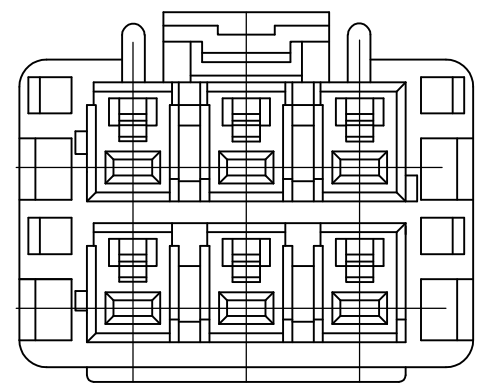
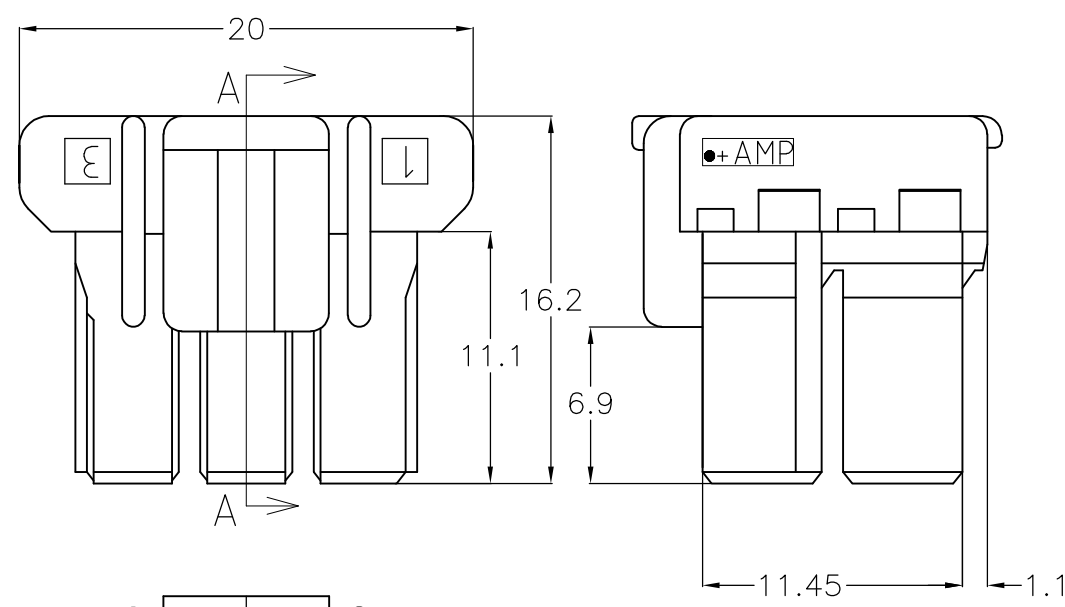
THE TYPE OF KEYING



| | |
|--------|------------------------|
| HOSING | 6/6 NYLON GRASS FILLED |
| NAME | MATERIAL |



SECT A-A



| | | | | | | |
|--|-----------|-------------|--------------------|---------|------|-------------|
| 3 | 1376395-1 | 3-1376387-4 | TYPE D | YELLOW | 6Pos | 3-1376393-4 |
| 3 | 1376395-1 | 2-1376387-3 | TYPE C | BLUE | 6Pos | 2-1376393-3 |
| 3 | 1376395-1 | 1-1376387-2 | TYPE B | RED | 6Pos | 1-1376393-2 |
| 3 | 1376395-1 | 1376387-1 | TYPE A | NATURAL | 6Pos | 1376393-1 |
| APPLICABLE PLATE. P/N MATING CONN. P/N | | | THE TYPE OF KEYING | Color | Pos | PART NO. |

| | | | | | | |
|--|--|-------------------------------|--|--------------------|-------------------------|--------------------|
| THIS DRAWING IS A CONTROLLED DOCUMENT. | | DWN A.OISHI 31AUG00 | TE Connectivity | | | |
| DIMENSIONS: mm | | CHK Y.KASHIWA 28AUG'00 | | | | |
| TOLERANCES UNLESS OTHERWISE SPECIFIED: | | APVD Y.KASHIWA 28AUG'00 | NAME 5.0 POWER KEY CONNECTOR 6P PLUG HOUSING(2ROW) | | | |
| 0 PLC ± 0.2 1 PLC ± 2 PLC ± 3 PLC ± 4 PLC ± ANGLES ± 1° | | PRODUCT SPEC 108-5699 | SIZE A3 | | | |
| MATERIAL SEE TABLE | | FINISH SEE TABLE | APPLICATION SPEC 114-5292 | CAGE CODE 00779 | DRAWING NO C-1376393 | RESTRICTED TO - |
| CUSTOMER DRAWING | | | WEIGHT | SCALE 3:1 | SHEET 1 OF 1 | REV B1 |