



LABEL HOLDER, FLAT, FRAME WITH ROUNDED BOTTOM, BLACK, FOR LABELING PLATE 27MM X 27MM

Figure similar

product brand name	SIRIUS ACT
Product designation	Commanding and signaling devices
Design of the product	Label holder for labling plate

#### Actuator:

Design of the operating mechanism	Label 27 x 27mm
-----------------------------------	-----------------

#### Installation/ mounting/ dimensions:

Height	59.8 mm
Width	29.8 mm

#### Accessories:

Material of accessory	Plastic
Shape of label holder	rounded below
Color of label holder	Black
Mounting type of label	snap on

#### Certificates/ approvals:

#### Further information

**Information- and Downloadcenter (Catalogs, Brochures,...)**

<http://www.siemens.com/industrial-controls/catalogs>

**Industry Mall (Online ordering system)**

<http://www.siemens.com/industrymall>

**Cax online generator**

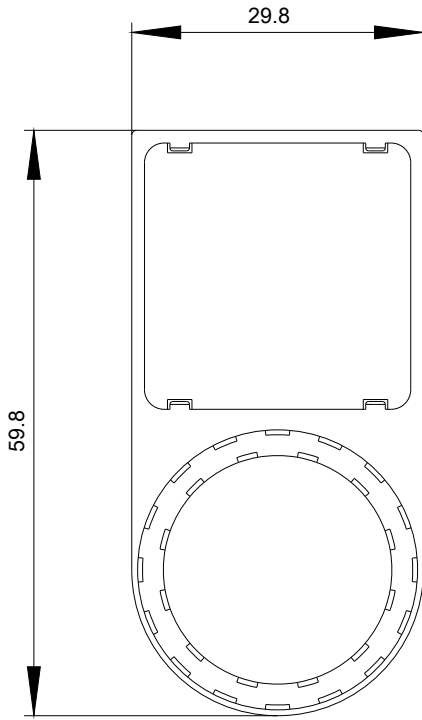
<http://support.automation.siemens.com/WW/CAXorder/default.aspx?lang=en&mfb=3SU19000AT100AA0>

**Service&Support (Manuals, Certificates, Characteristics, FAQs,...)**

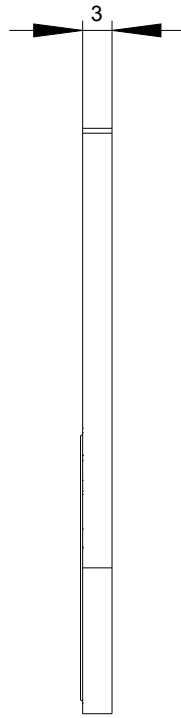
<https://support.industry.siemens.com/cs/ww/en/ps/3SU19000AT100AA0>

**Image database (product images, 2D dimension drawings, 3D models, device circuit diagrams, EPLAN macros, ...)**

[http://www.automation.siemens.com/bilddb/cax\\_de.aspx?mfb=3SU19000AT100AA0&lang=en](http://www.automation.siemens.com/bilddb/cax_de.aspx?mfb=3SU19000AT100AA0&lang=en)



last modified:



27.04.2015