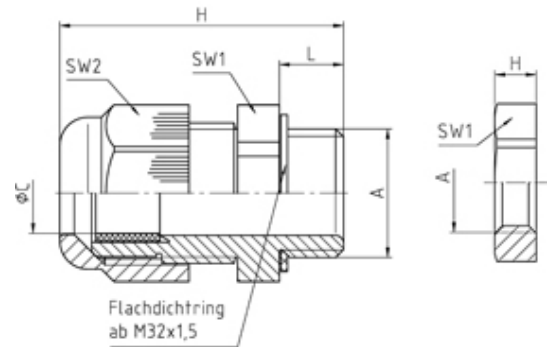


## 50011M16PASW-F

Perfect cable gland PA/SW long connecting thread M16/PG11 thread length 15, min/max cable dia 5-10 Body - Polyamide PA6 V-2 and Hexagonal locknut PA/SW M16X1,5 thread length M16x1.5 Body - Polyamide PA6 GF30



### SPECIFICATION

<b>Product Type</b>	Standard
<b>Sealing Ring Material</b>	Polychloroprene-Nitrile rubber CR/NBR
<b>Body Material</b>	Polyamide
<b>Min Temperature °C</b>	-20
<b>Max Temperature °C</b>	100
<b>IP Rating</b>	68
<b>Colour</b>	Black - RAL 9005
<b>Thread Size</b>	M16
<b>Clamping Range Min (mm)</b>	5
<b>Clamping Range Max (mm)</b>	10
<b>External Connecting Thread Type</b>	Metric
<b>Thread Length (mm)</b>	15
<b>Comments</b>	This product comprises parts 50.216 PA/SW and 50011M16PASW
<b>Width Across Flat 1 (mm)</b>	22
<b>Width Across Flat 2 (mm)</b>	22
<b>Height (mm)</b>	44
<b>Connecting Thread Size</b>	M16x1.5
<b>Additional Material Detail</b>	Body - Polyamide PA6 V-2
<b>Standards</b>	EN50262/UL514B

### DISTRIBUTORS

