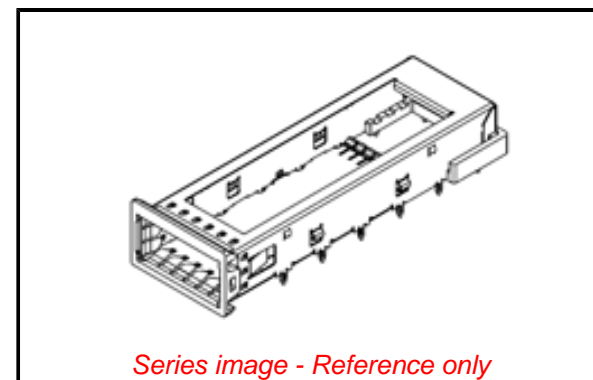


PLEASE CHECK WWW.MOLEX.COM FOR LATEST PART INFORMATION

Part Number: [0747360220](#)
Status: **Active**
Overview: [XFP Cage](#)
Description: XFP Cage Assembly, 10 Gigabit Small Form Factor Pluggable Compatible, without Heat Sink or Clip, Elastomer EMI Gasket, Press-Fit Pins

Documents:

[3D Model](#) [Packaging Specification PK-74736-008 \(PDF\)](#)
[Drawing \(PDF\)](#) [RoHS Certificate of Compliance \(PDF\)](#)
[Application Specification AS-74736-0001-001 \(PDF\)](#)



General

Product Family	EMI Cages
Series	74736
Application	Module-to-Board
Application Tooling Part Link	62203-0070
Application Tooling Part Link	62203-0080
Component Type	Cage Assembly
Overview	XFP Cage
Product Name	XFP
UPC	822348466924
Use With	74441-0017 XFP Connector

Physical

EMI Panel / Bezel Mount	Elastomer Gasket
Light Pipes per Port	0
Material - Metal	Copper Alloy
Net Weight	8.000/g
Orientation	Horizontal
Packaging Type	Tray
Port Configuration	1x1
Rear Legs	0
Termination Interface: Style	Through Hole - Compliant Pin
Thermal Height	N/A
Thermal Solutions	Open Top

Solder Process Data

Lead-freeProcess Capability	N/A
-----------------------------	-----

Material Info

Reference - Drawing Numbers

Application Specification	AS-74736-0001-001
Packaging Specification	PK-74736-008
Sales Drawing	SD-74736-220

EU ELV

Not Relevant

EU RoHS

Compliant

REACH SVHC

Not Contained Per -
ED/21/2016 (20 June 2016)

Halogen-Free Status

Low-Halogen

Need more information on product environmental compliance?

Email productcompliance@molex.com
Please visit the [Contact Us](#) section for any non-product compliance questions.

China ROHS	Green Image
ELV	Not Relevant
RoHS Phthalates	Not Contained

Search Parts in this Series
[74736 Series](#)