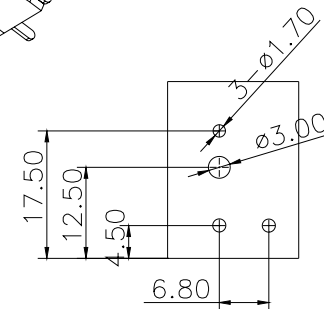
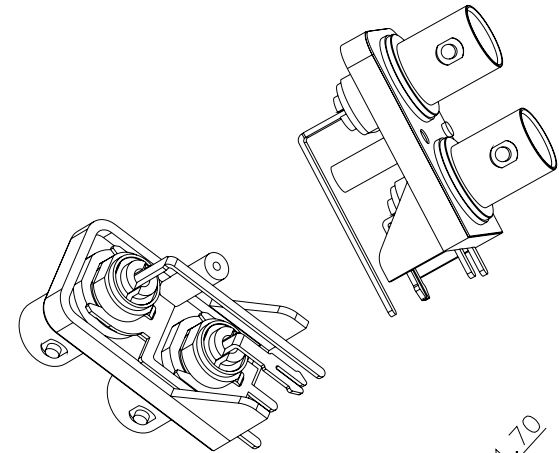
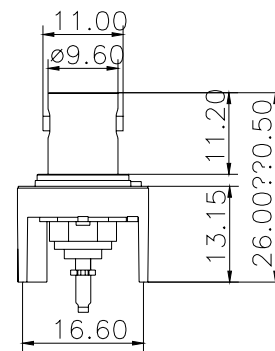
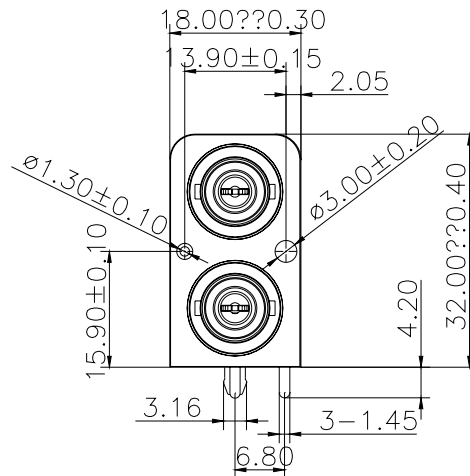
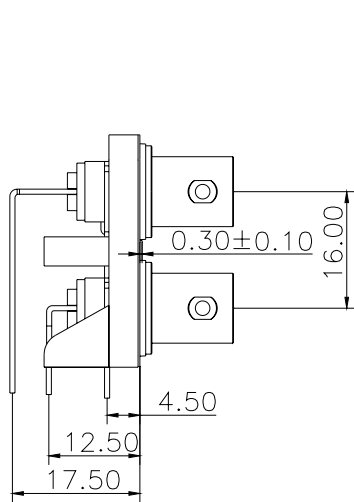


REVISIONS

RevNo	Description	Date	REVISION	Mender
1		2006/01/17	A2	Aaron



PCB LAYOUT

1.MATERIALS:

- a BOOY:ZINC ALLOY.DIE CASTIN NIXKEL PLATED
 - b CONTACT:BARSS NICKEL PLATED.
 - c BRACKET:A.B.S.
 - d INSULATOR:ENGINEER PLASTIC POM
- 2.NORMAL IMPEDENCE 50(75)OHMS.
 3.FREQUENCY RANGE:0-2 GHZ.
 4.MAX PEAK VOLTAGE:500V
 5.DIELECTRIC STRENGTH WITHSTAND 1.5KV RMS FOR ONE MINUTE.
 6.INSULATION RESISTANCE AT 500 VDE 5000 MEGOHMS MAL.

8	SHEET COPPER	BRASS	1	NICKEL PLATED
7	CONTACT PIN	BRASS	1	NICKEL PLATED
6	CONTACT PIN	BRASS	1	NICKEL PLATED
5	CENTER CONTACT	BRASS	1	NICKEL PLATED
4	CENTER CONTACT	BRASS	1	NICKEL PLATED
3	INSULATOR	POM	2	NATURAL
2	BODY	ZINC	2	NICKEL PLATED
1	HOUSING	ABS UL 94V0	1	BLACK
ITEM	DESCRIPTION	MATERIAL	Q'TY	FINISHED

YIN SHENG COMPANY LTD (ZHONG SHAN)				TITLE		
				TWO BNC FEMALE IN TWO ROWS,90°		
PART NO.	XXX	UNITS	MM	UNLESS OTHERWISE SPECIFIED TOLERANCES: 0.5-15 = ±0.15 15-30 = ±0.30 30-120 = ±0.60 >120 = ±1.00	DESIGNED	Zs
MODEL NO.	SB124(2X1)A-V0	SCALE	FIT		DRAWING	Zs
DRAWING NO.		EDITION	A1	PUBLISH DATE	CHECKED	David
CAD FILE	Yin sheng/Yifaxing/sb/sb124				APPROVED	
				2005/06/23	3RD ANGLE	