

DC Fan Motors

Dyna Ace $\phi 172$ mm

side cut type



With a high air flow, it is best suited for large computers and industrial equipment.

General specifications

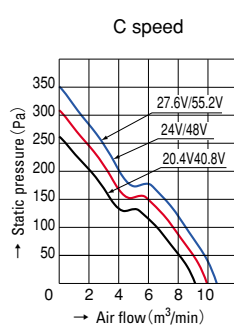
- Motor protection system ····Current cut system (with reverse-connection protection)
- Dielectric strength ······50/60 Hz, 500 VAC, 1 minute
(between lead conductor and frame)
- Operating thermally range -10°C to +60°C (non-condensing)
- Fan power lead ········C,K,H,F speeds, ⊕ red, ⊖ black
M speed, ⊕ red, ⊖ blue

51 mm thick (side cut type : $\phi 172 \times 150$)

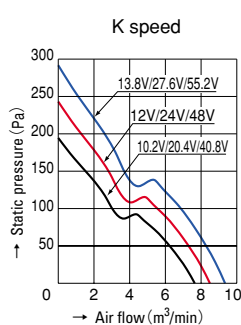
Specifications

Model No	Rated voltage (V)	Operating voltage range (V)	Rated current (A)	Rated input (W)	Rated rotating speed (min ⁻¹)	Air flow (m ³ /min)	Air flow (CFM)	Static pressure (Pa)	Noise (dB[A])	Mass (g)
109E5712K502	12	10.2~13.8	2.9	34.8	4,100	8.5	300	243.0	60	760
109E5712H502			1.2	14.4	3,050	6.4	226	137.2	52	
109E5712M502			0.48	5.76	2,000	4.2	148	67.6	41	
109E5724C502	24	20.4~27.6	2.3	55.2	4,800	9.9	350	308.0	66	
109E5724K502			1.3	31.2	4,100	8.5	300	243.0	60	
109E5724H502			0.58	13.92	3,050	6.4	226	137.2	52	
109E5724M502	48	40.8~55.2	0.2	4.8	2,000	4.2	148	67.6	41	
109E5748C502			1.2	57.6	4,800	9.9	350	308.0	66	
109E5748K502			0.7	33.6	4,100	8.5	300	243.0	60	
109E5748H502	48	40.8~55.2	0.28	13.44	3,050	6.4	226	137.2	52	
109E5748M502			0.11	5.28	2,000	4.2	148	67.6	41	

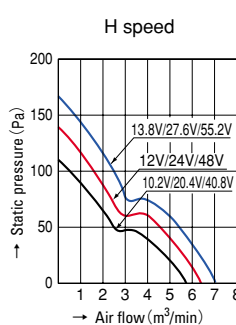
Typical air flow and static pressure characteristics



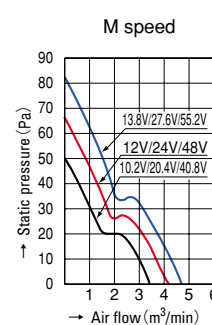
109E5724C502
109E5748C502



109E1712K502
109E1724K502
109E1748K502

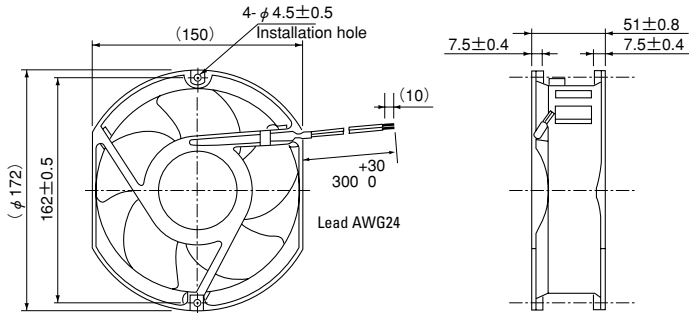


109E1712H502
109E1724H502
109E1748H502



109E1712M502
109E1724M502
109E1748M502

Dimensions (unit : mm)



Reference dimensional diagram for installation holes (unit : mm)

