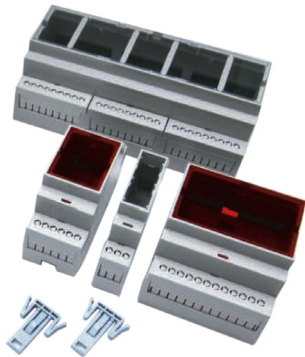


# DIN-Rail / Module Box



## Product Information:

### Material

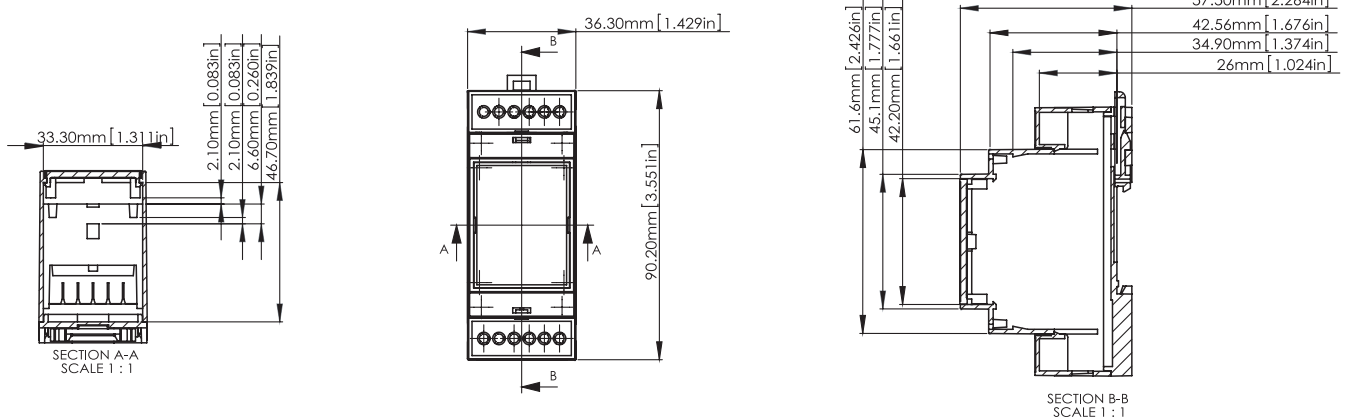
- High impact Polycarbonate/ABS UL94-V0, grey.

### Features

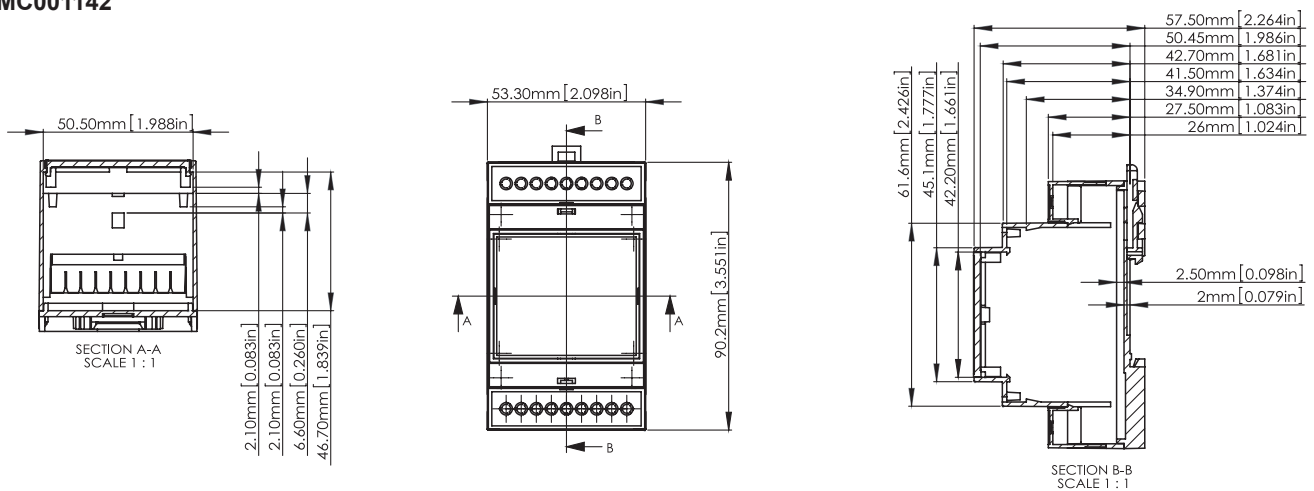
- DIN rail module boxes supplied in a range of 5 different sizes (2M ,3M, 4M ,6M & 9M).
- Designed to incorporate DIN EN60715 Rail.
- Easy assembly snap fit construction.
- Snap fit terminal covers available in either transparent or IR Red Polycarbonate UL94-V0.
- Available with snap fit grey guards.

## Diagram

### MC001141



### MC001142



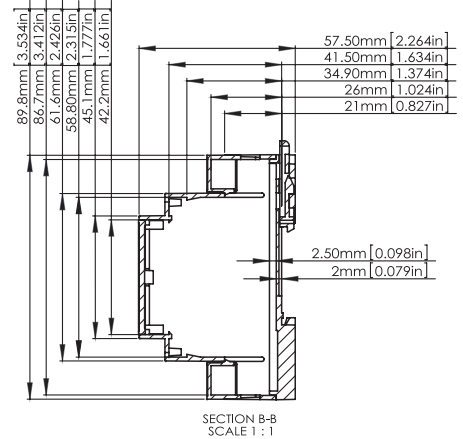
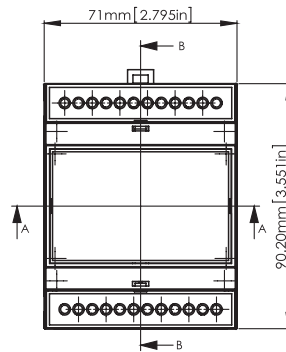
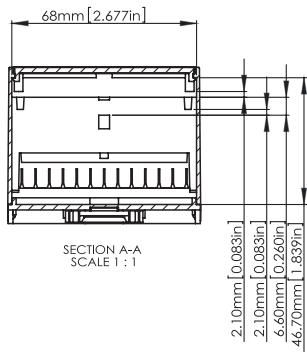
Dimensions : Millimetres (Inches)



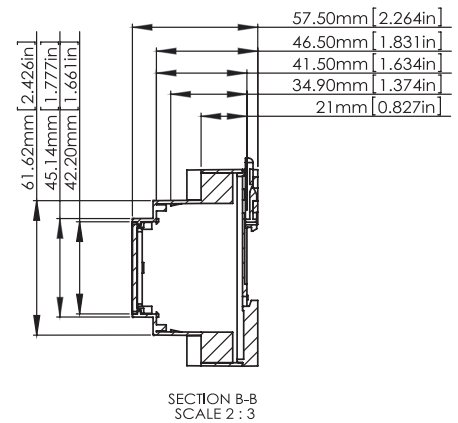
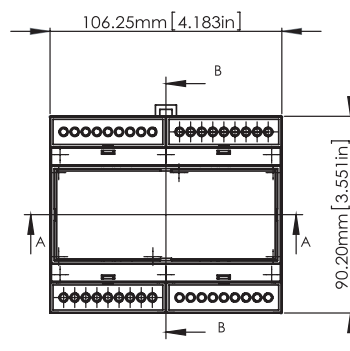
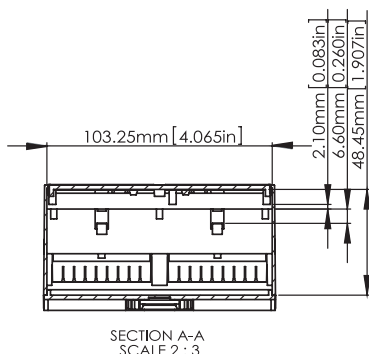
# DIN-Rail / Module Box



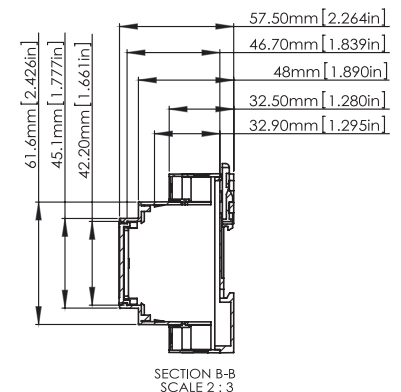
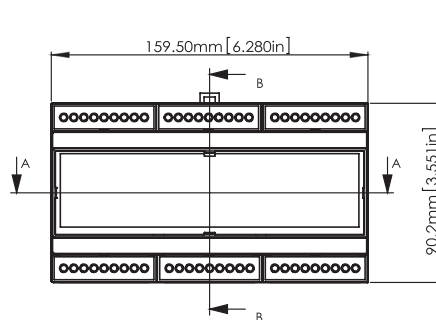
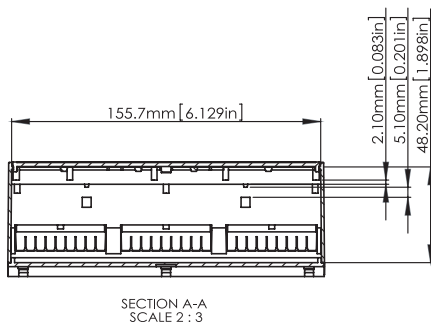
## MC001143



## MC001144



## MC001145



Dimensions : Millimetres (Inches)



## Part Number Table

Description	Colour	Material	External Dimension L × W × H (mm)	Part Number
DIN-Rail Module Box, 2MG	Grey	PC/ABS (UL94-V0)	36.3 × 90.2 × 57.5	MC001141
DIN-Rail Module Box, 3MG			53.3 × 90.2 × 57.5	MC001142
DIN-Rail Module Box, 4MG			71 × 90.2 × 57.5	MC001143
DIN-Rail Module Box, 6MG			106.25 × 90.2 × 57.5	MC001144
DIN-Rail Module Box, 9MG			159.5 × 90.2 × 57.5	MC001145

## Cover (Transparent & Infra red cover)



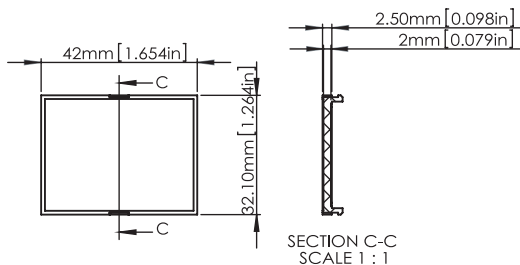
Infra red cover



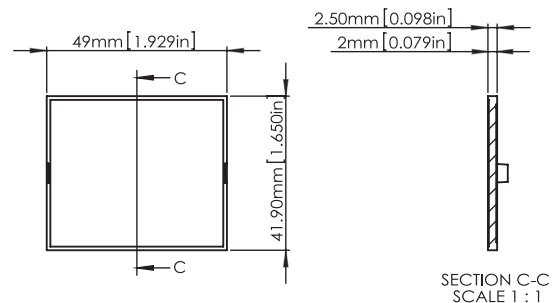
Transparent cover

## Diagram

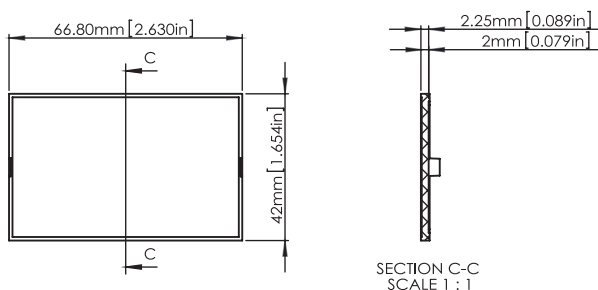
MC001146 & MC001147



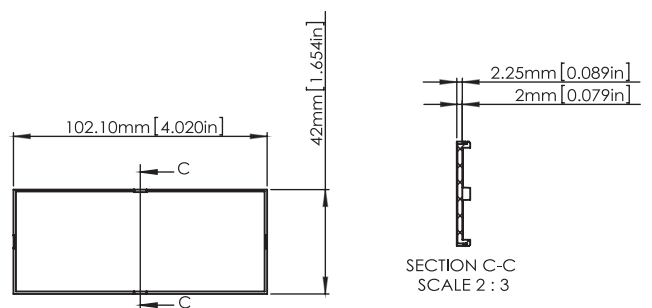
MC001148 & MC001149



MC001150 & MC001151

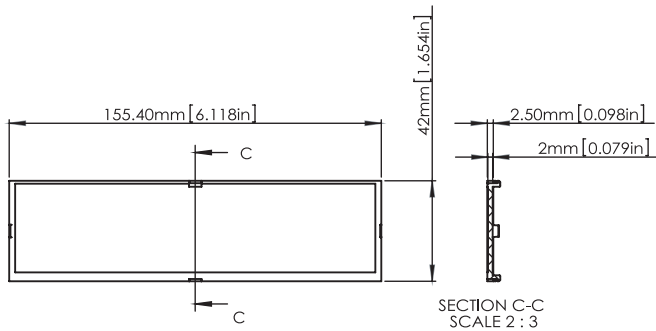


MC001152 & MC001153



Dimensions : Millimetres (Inches)

## MC001154 & MC001155



Dimensions : Millimetres (Inches)

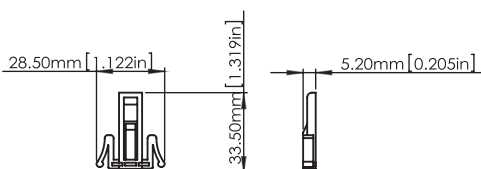
## Part Number Table

Description	Material	External Dimension (mm)	Part Number
Transparent cover for D2MG use	PC/ABS (UL94-V0)	42 × 32.1 × 2.5	MC001146
Infra red cover for D2MG use		42 × 32.1 × 2.5	MC001147
Transparent cover for D3MG use		42 × 49 × 2.5	MC001148
Infra red cover for D3MG use		42 × 49 × 2.5	MC001149
Transparent cover for D4MG use		42 × 66.8 × 2.5	MC001150
Infra red cover for D4MG use		42 × 66.8 × 2.5	MC001151
Transparent cover for D6MG use		42 × 102.1 × 2.5	MC001152
Infra red cover for D6MG use		42 × 102.1 × 2.5	MC001153
Transparent cover for D9MG use		42 × 155.4 × 2.5	MC001154
Infra red cover for D9MG use		42 × 155.4 × 2.5	MC001155

## Wall Clip



## Diagram



Dimensions : Millimetres (Inches)

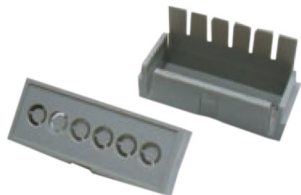
## Part Number Table

Description	Material	Part Number
Wall clip for DIN-Rail module box use	Nylon 66 (UL94-V0)	MC001159

# DIN-Rail / Module Box

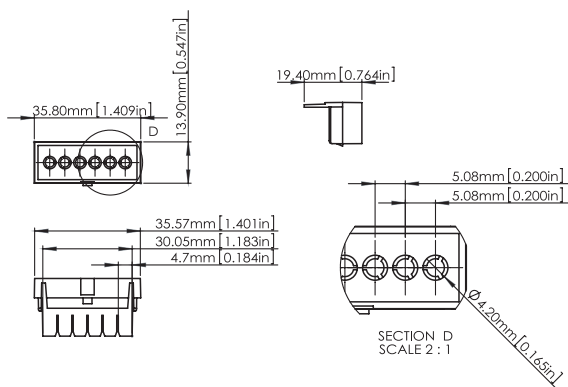


## Guard

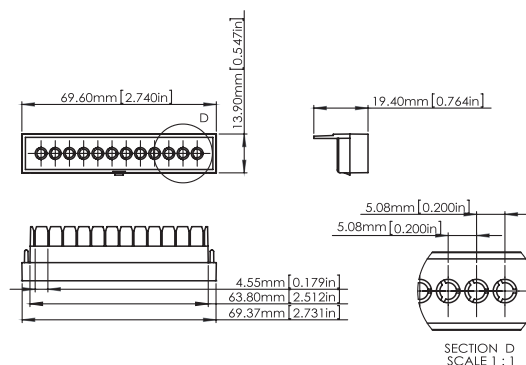


## Diagram

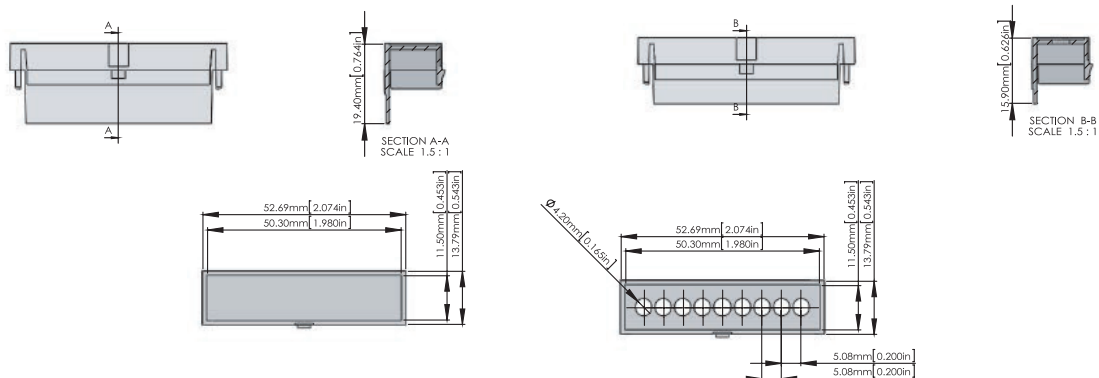
MC001156



MC001157



MC001158



Dimensions : Millimetres (Inches)

## Part Number Table

Description	Type	Material	Part Number
For D2MG use	Perforated	PC/ABS (UL94-V0)	MC001156
For D4MG use			MC001157
For D3MG/D6MG/D9MG use			MC001158

**Important Notice :** This data sheet and its contents (the "Information") belong to the members of the Premier Farnell group of companies (the "Group") or are licensed to it. No licence is granted for the use of it other than for information purposes in connection with the products to which it relates. No licence of any intellectual property rights is granted. The Information is subject to change without notice and replaces all data sheets previously supplied. The Information supplied is believed to be accurate but the Group assumes no responsibility for its accuracy or completeness, any error in or omission from it or for any use made of it. Users of this data sheet should check for themselves the Information and the suitability of the products for their purpose and not make any assumptions based on information included or omitted. Liability for loss or damage resulting from any reliance on the Information or use of it (including liability resulting from negligence or where the Group was aware of the possibility of such loss or damage arising) is excluded. This will not operate to limit or restrict the Group's liability for death or personal injury resulting from its negligence. Multicomp is the registered trademark of the Group. © Premier Farnell plc 2012.

