

San Ace

DC

DC Fan Motor

92mm
San Cooler 92



General specifications

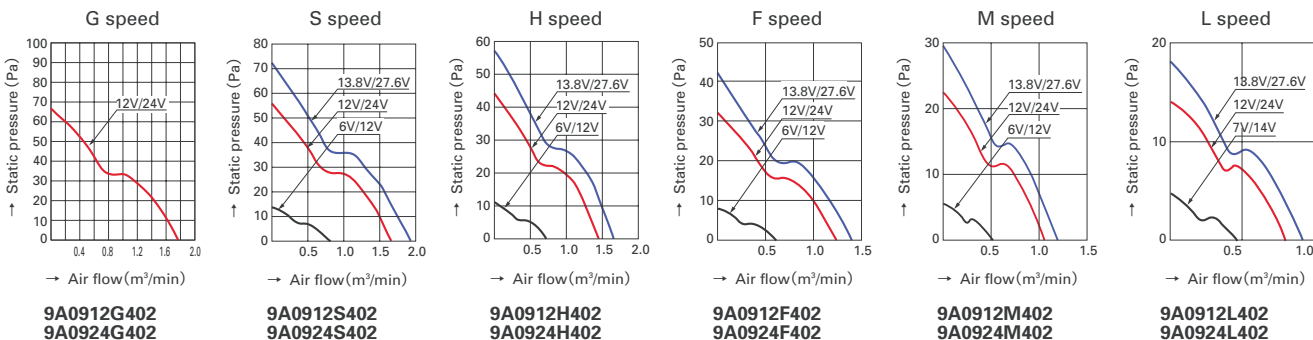
- Expected life It depends on each part numbers (Survival rate: 90% at 60°C, rated voltage, and continuously run in a free air state)
- Motor protection system Current blocking function (with reverse polarity protection)
- Dielectric strength 50/60 Hz, 500VAC, 1 minute (between lead conductor and frame)
- Noise measurement method Measured at 1m away from the air inlet
- Operating temperature range It depends on each part numbers (Non-condensing)
- Lead wire G,S,H,F speeds ⊕red, ⊖black
M speed ⊕red, ⊖blue
- Mass 100g

25mm thick Specifications

Model No.	Rated voltage (V)	Operating voltage range (V)	Rated current (A)	Rated input (W)	Rated speed (min ⁻¹)	Air flow (m ³ /min) (CFM)	Static pressure (Pa) (inchH ₂ O)	Noise (dB [A])	Operating temperature range (°C)	Expected life (h)
9A0912G402(4021)	12	6~13.8	0.39	4.68	3,900	1.76 62.1	66.5 0.267	43	-10 ~ +60	30,000
9A0912S402(4021)			0.27	3.24	3,550	1.66 58.6	56.1 0.225	39		
9A0912H402(4021)			0.21	2.52	3,150	1.45 51.2	44 0.177	33		
9A0912F402(4021)			0.14	1.68	2,650	1.24 43.8	32.2 0.129	30		
9A0912M402(4021)			0.12	1.44	2,250	1.04 36.7	22.6 0.091	27		
9A0912L402(4021)		7~13.8	0.07	0.84	1,750	0.8 28.2	13.4 0.054	23		
9A0924G402(4021)	24	12~27.6	0.19	4.56	3,900	1.76 62.1	66.5 0.267	43	-10 ~ +60	30,000
9A0924S402(4021)			0.15	3.6	3,550	1.66 58.6	56.1 0.225	39		
9A0924H402(4021)			0.1	2.4	3,150	1.45 51.2	44 0.177	33		
9A0924F402(4021)			0.08	1.92	2,650	1.24 43.8	32.2 0.129	30		
9A0924M402(4021)			0.05	1.2	2,250	1.04 36.7	22.6 0.091	27		
9A0924L402(4021)		14~27.6	0.04	0.96	1,750	0.8 28.2	13.4 0.054	23		

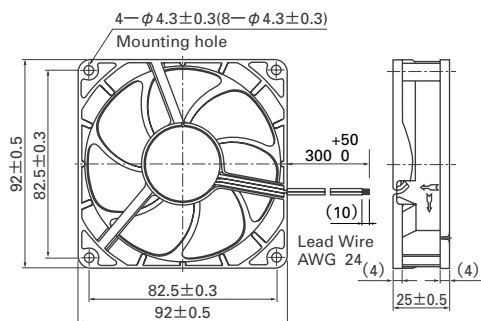
The numbers in () represent ribless models.

Air flow and static pressure characteristics



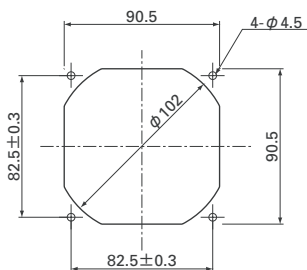
92mm

Dimensions (unit : mm)

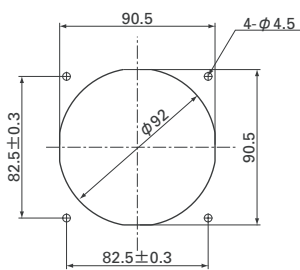


Reference dimension of mounting holes and vent opening (unit : mm)

Air inlet sides



Air outlet sides



92mm

Notice

- The products shown in the catalog are subject to Japanese Export Control Law. Diversion contrary to the law of exporting country is prohibited.
- To protect against electrolytic cooling corrosion that may occur in locations of strong electromagnetic noise, we provide fans that are unaffected by electrolytic corrosion. Alternative measures to protect against electrolytic corrosion may include metallic finger guards or other metallic attachments. Please contact us for details.

SANYO DENKI